

NDP-5 Specifications

Port Dimensions (3.1 GPM Max.)

Intake & discharge	1/4" Female NPT
Air inlet (incl. ball valve):	1/4" Female NPT
Air exhaust (internal silencer):	3/8" Female NPT

Maximum Liquid Temperature

Fitted with PTFE diaphragm

Pump Material	Temperature
Groundable Acetal	180°F (82°C)
Polypropylene (PPG)	180°F (82°C)
Aluminum (ADC-12)	212°F (100°C)
Kynar® (PVDF)	212°F (100°C)
Stainless Steel (316)	212°F (100°C)

Air Supply Pressure (All Models)

20–100 PSI (1.4–7 kfg/cm)

Discharge Volume Per Cycle

0.0078 gallons (29 cc)

Maximum Cycles Per Minute: 400

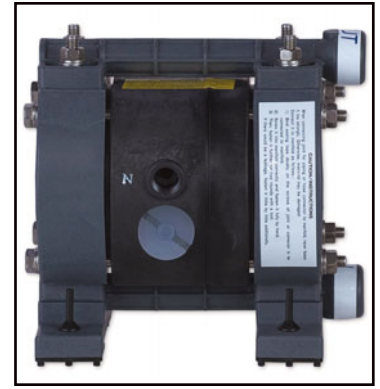
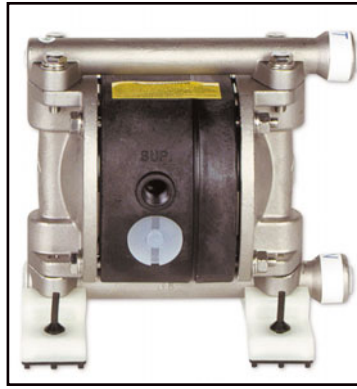
Maximum Dry Suction Lift: 5-feet

Pump Air Motor

Ryton® air motor standard

Model Number Nomenclature

Polypropylene (PPG)	NDP-5FPT
Kynar® (PVDF)	NDP-5FVT
Groundable Acetal	NDP-5FDT
Aluminum (ADC-12)	NDP-5FAT
Stainless Steel (316)	NDP-5FST



Aluminum

Dimensions: 6.1" W × 5.87" H

Net Wt.: 3.3 lbs. (1.5 kg)

Shipping Wt.: 4.3 lbs.

Stainless Steel

Dimensions: 6.1" W × 5.87" H

Net Wt.: 5.9 lbs. (2.68 kg)

Shipping Wt.: 6.9 lbs.

Kynar® (PVDF)

Dimensions: 6.14" W × 5.79" H

Net Wt.: 3.7 lbs. (1.67 kg)

Shipping Wt.: 4.7 lbs.

Groundable Acetal

Dimensions: 6.14" W × 5.79" H

Net Wt.: 3.7 lbs. (1.67 kg)

Shipping Wt.: 4.7 lbs.

Polypropylene

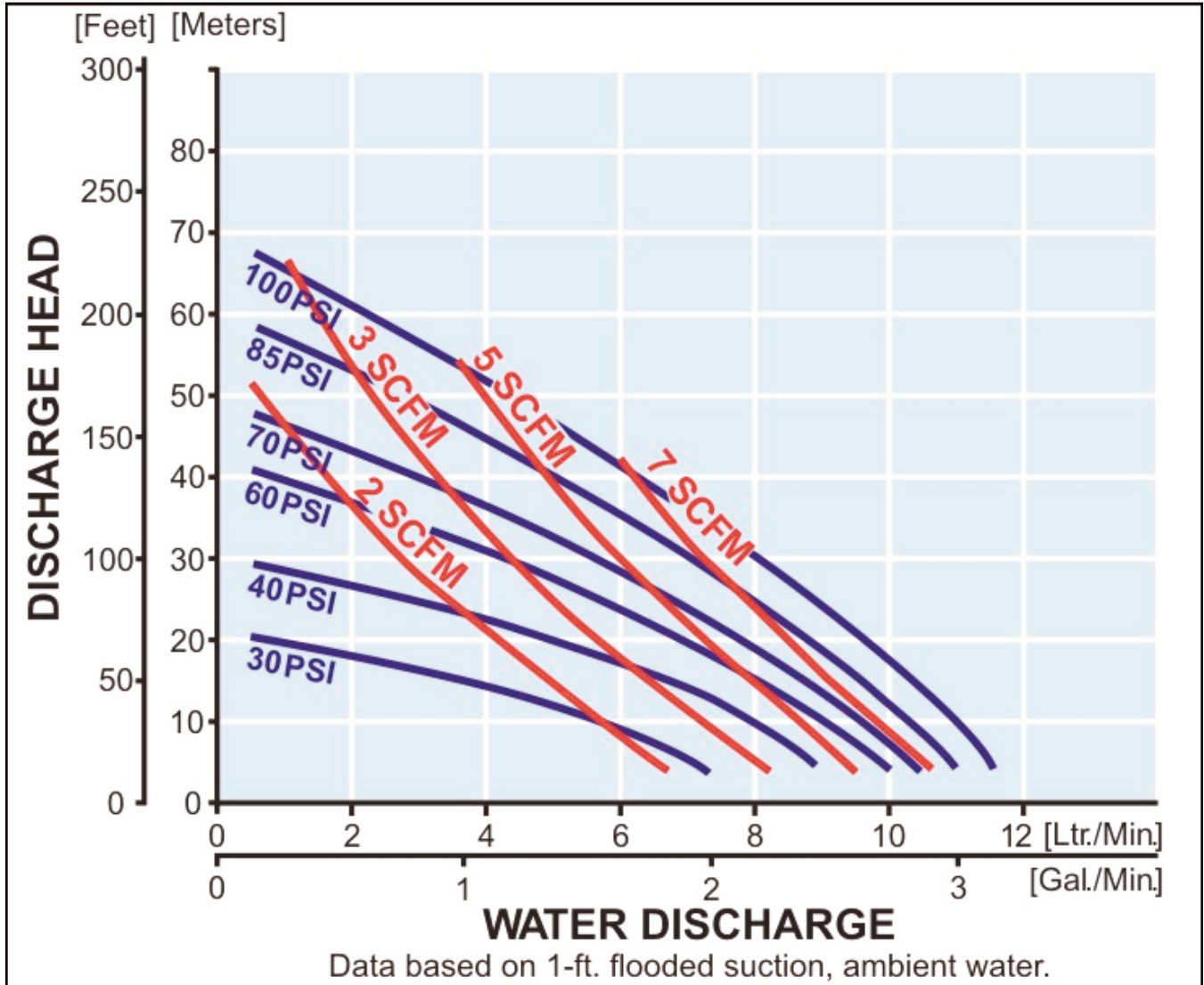
Dimensions: 6.14" W × 5.79" H

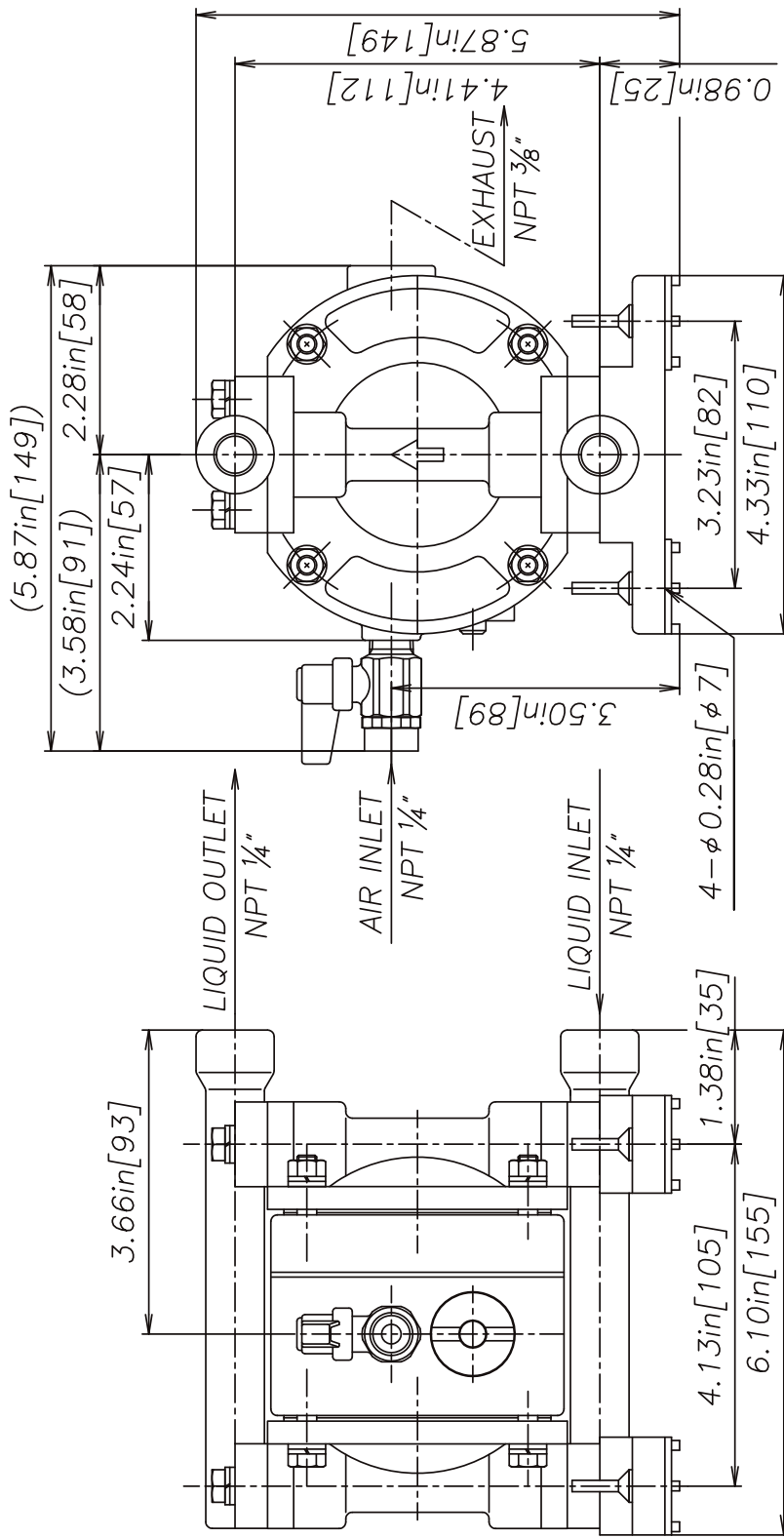
Net Wt.: 3.0 lbs. (1.36 kg)

Shipping Wt.: 4 lbs.

NDP-5 Performance Curve

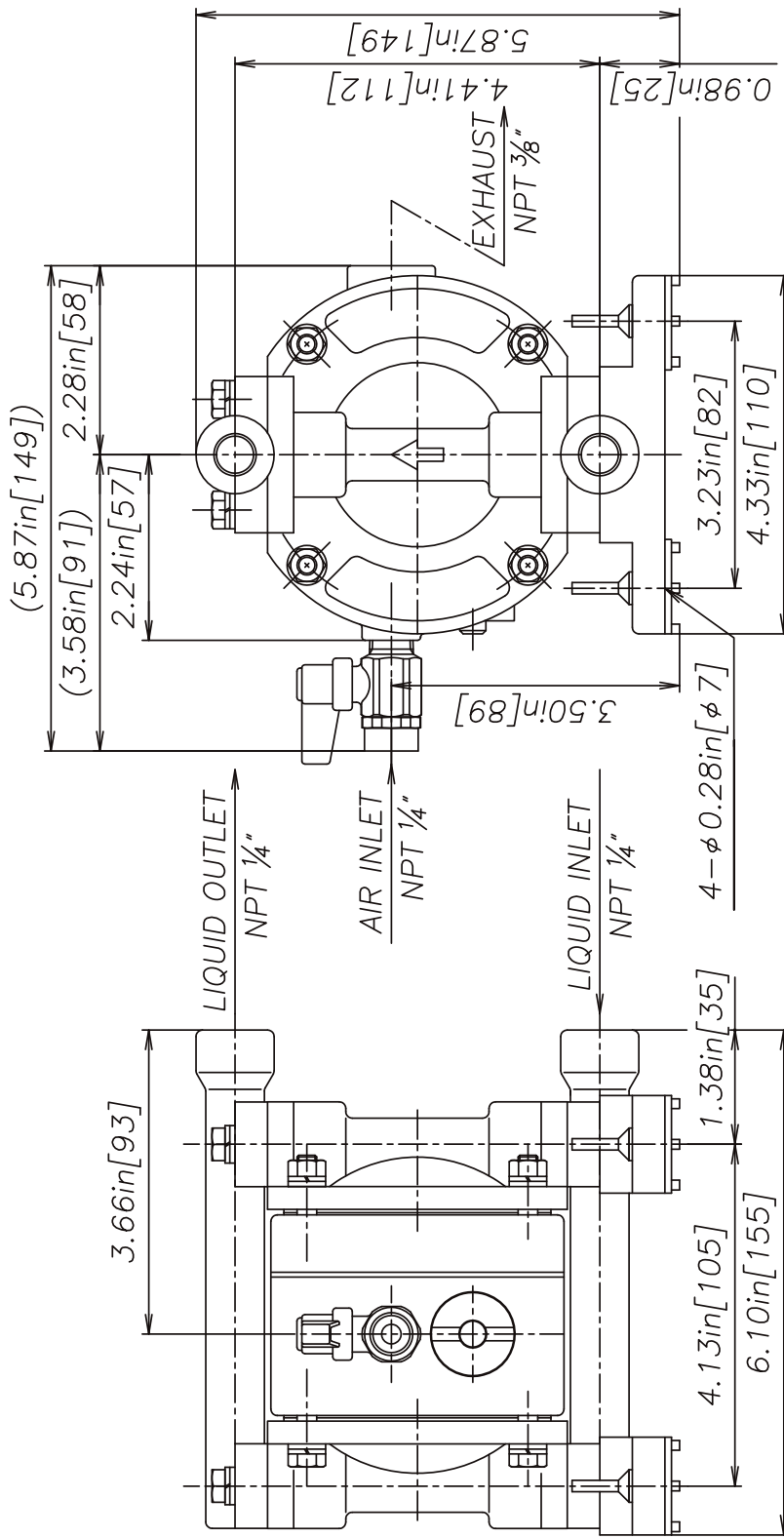
All Diaphragm Materials





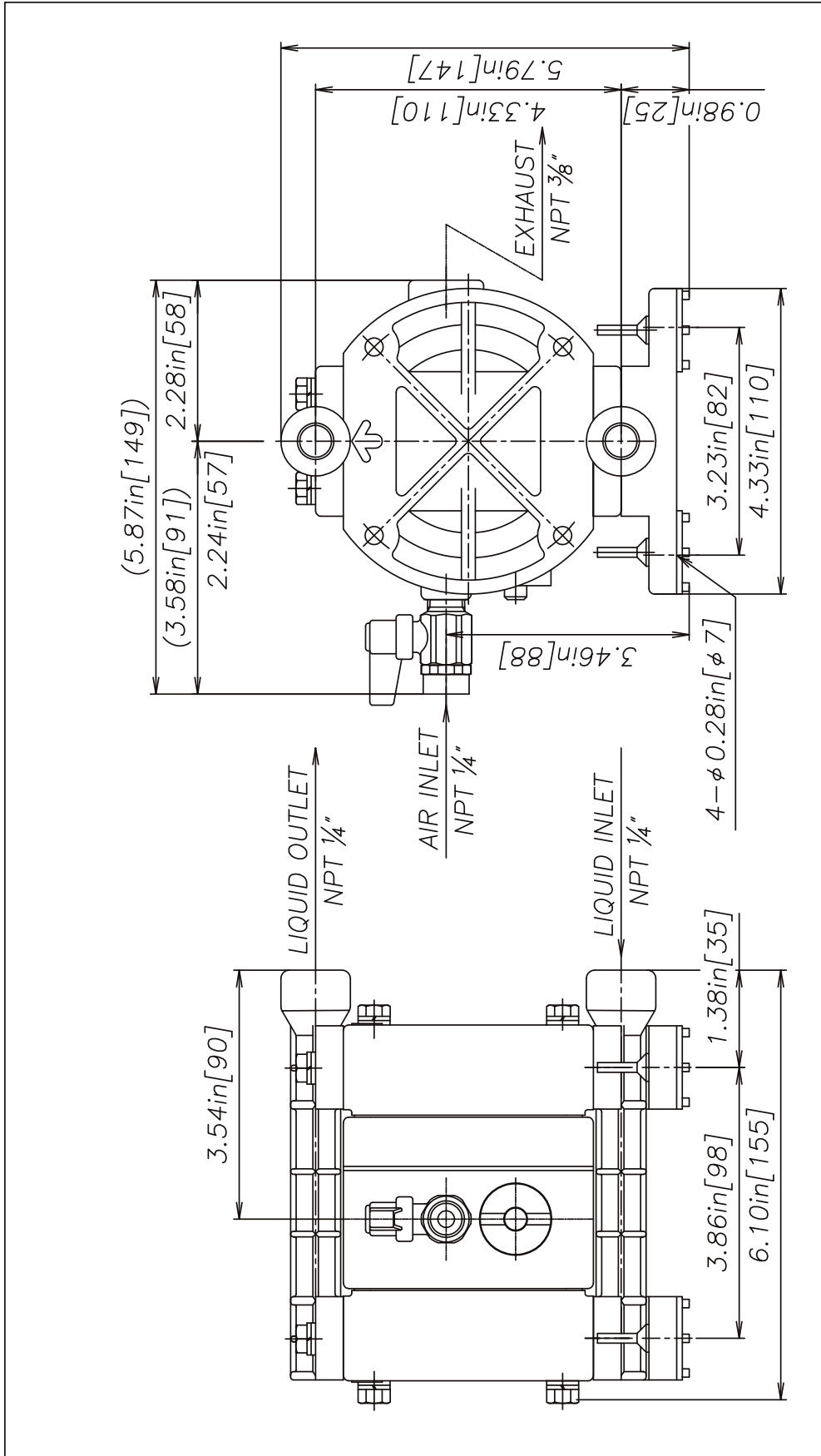
REV	DATE	DESCRIPTION	APPR'D
THE DWG. OF:			
DIAPHRAGM PUMP ASSEMBLY			
SCALE 1 : 1		DRAWN BY YJI	
DATE 02/08/06		APPROVED BY S.K.	
THIRD ANG. PROJ.	DRAWING NUMBER: NDP-5FA		REV 0

YAMADA AMERICA, INC.
 1200 NUCLEAR DRIVE - WEST CHICAGO, ILLINOIS 60185
 TOLL FREE 800-990-7867 OR 630-231-4083
 THIS IS A CAD DRAWING AND MUST NOT BE ALTERED MANUALLY.



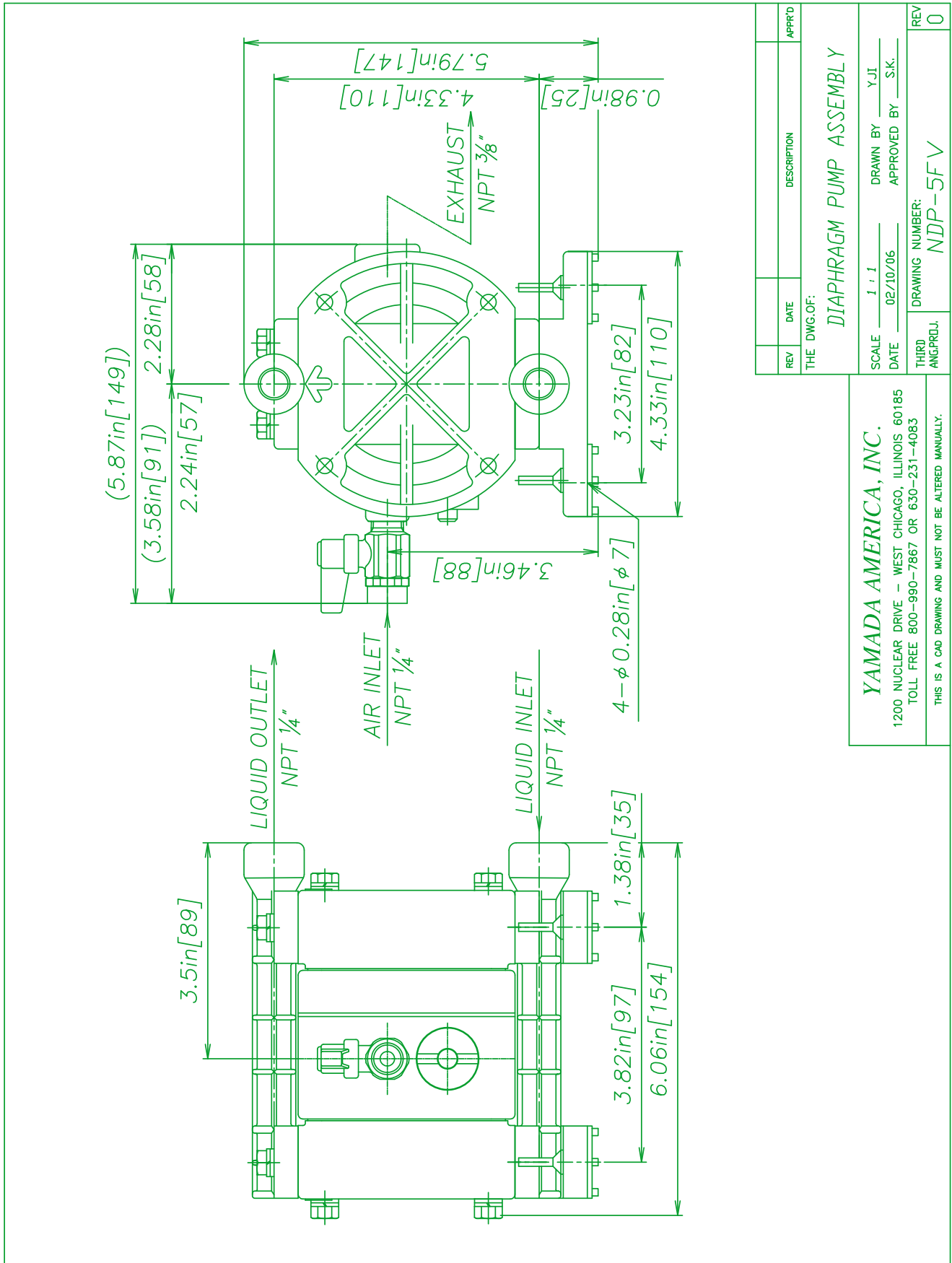
REV	DATE	DESCRIPTION	APPR'D
THE DWG. OF:			
DIAPHRAGM PUMP ASSEMBLY			
SCALE	1 : 1	DRAWN BY	YJI
DATE	02/08/06	APPROVED BY	S.K.
THIRD ANG. PROJ.		DRAWING NUMBER:	NDP-5FS
REV			0

YAMADA AMERICA, INC.
 1200 NUCLEAR DRIVE - WEST CHICAGO, ILLINOIS 60185
 TOLL FREE 800-990-7867 OR 630-231-4083
 THIS IS A CAD DRAWING AND MUST NOT BE ALTERED MANUALLY.



REV	DATE	DESCRIPTION	APPR'D
THE DWG.OF:			
DIAPHRAGM PUMP ASSEMBLY			
SCALE: 1 : 1		DRAWN BY: Y.JI	
DATE: 02/10/06		APPROVED BY: S.K.	
THIRD ANGR.PRDJ.	DRAWING NUMBER: NDP-5FP/FD		REV: 0

YAMADA AMERICA, INC.
 1200 NUCLEAR DRIVE - WEST CHICAGO, ILLINOIS 60185
 TOLL FREE 800-990-7867 OR 630-231-4083
 THIS IS A CAD DRAWING AND MUST NOT BE ALTERED MANUALLY.



REV	DATE	DESCRIPTION	APPR'D
THE DWG.OF:			
DIAPHRAGM PUMP ASSEMBLY			
SCALE 1 : 1		DRAWN BY YJI	
DATE 02/10/06		APPROVED BY S.K.	
THIRD ANGR.PROJ.	DRAWING NUMBER: NDP-5FV		REV 0

YAMADA AMERICA, INC.
 1200 NUCLEAR DRIVE - WEST CHICAGO, ILLINOIS 60185
 TOLL FREE 800-990-7867 OR 630-231-4083
 THIS IS A CAD DRAWING AND MUST NOT BE ALTERED MANUALLY.

AutoCAD® is a registered trademark of Autodesk, Inc.

Hytrel® is a registered trademark of E.I. du Pont de Nemours and Company.

Kynar® is a registered trademark of Arkema.

Nordel™ is a trademark of DuPont Dow Elastomers.

Ryton® is a registered trademark of Chevron Phillips Chemical Company.

Santoprene® is a registered trademark of Advanced Elastomer Systems.

Swagelok® & VCR® are trademarks of the Swagelok Companies.

Viton® is a registered trademark of DuPont Performance Elastomers.

Due to Yamada's continued commitment to product improvement, specifications may change without notice.