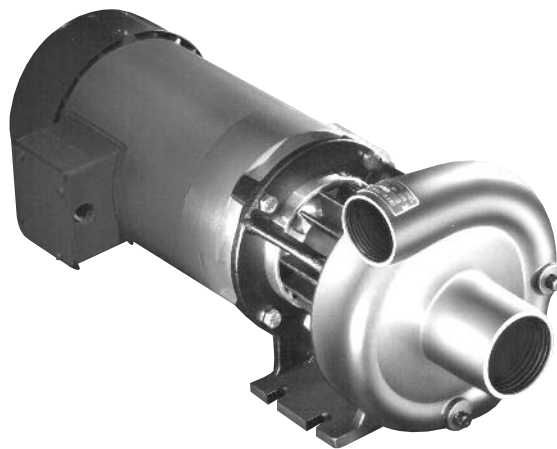


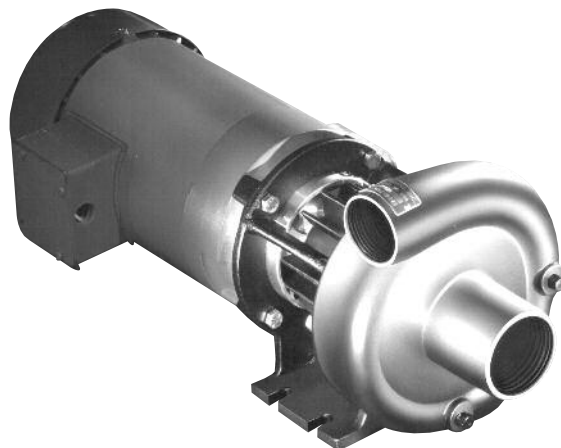
# HTO 80 120 180 300

## CENTRIFUGAL HOT OIL PUMP FEATURES

- APPLICATIONS: PLASTICS, CHEMICAL, FOOD, AND PROCESSING INDUSTRIES WHICH REQUIRE PUMPING OF HIGH TEMPERATURE FLUIDS
- UTILIZES AN ISOLATED SEAL CHAMBER, EFFECTIVELY COOLED BY A FAN CLAMP, WHICH COUPLES THE UNIT TO THE SHAFT OF A C-FRAME MOTOR
- STANDARD CARBON/SILICON CARBIDE MECHANICAL SEAL WITH VITON ELASTOMERS, STAINLESS STEEL FITTED
- CARBON GRAPHITE ISOLATOR BUSHING SEPARATES MECHANICAL SEAL FROM HIGH TEMPERATURE FLUIDS
- STAINLESS STEEL DRIVE SLEEVE AND ALUMINUM DRIVE CLAMP COUPLES PUMP UNIT TO MOTOR
- VERTICAL & HORIZONTAL DISCHARGE
- A UNIQUE CENTRIFUGAL PUMP (PATENTED) DESIGNED FOR HIGH TEMPERATURE APPLICATIONS WITHOUT REQUIRING EXTERNAL FLUSHES OR JACKET COOLING
- CAPACITIES - 10-500 GPM
- HEADS - UP TO 190' TDH
- TEMPERATURES - TO 650°F



HTO 80



HTO 120

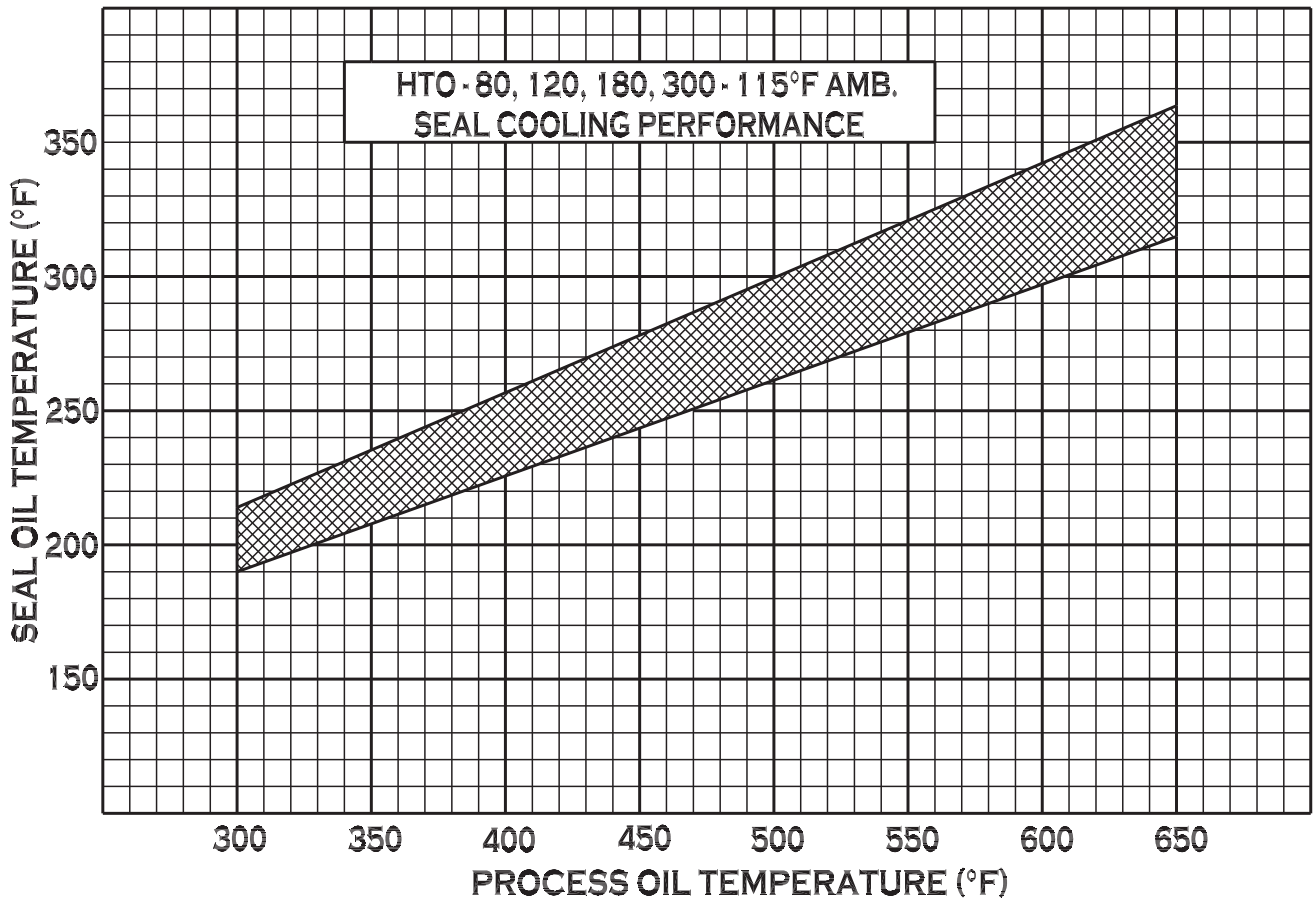
MODEL	Suction	Discharge
HTO 80	1 1/2" NPT (Flange Option)	1 1/4" NPT (Flange Option)
HTO 120	2" NPT (Flange Option)	1 1/2" NPT (Flange Option)
HTO 180	3" ANSI 150 Flange	1 1/2" ANSI 150 Flange
HTO 300	3" ANSI 150 Flange	2 1/2" ANSI 150 Flange



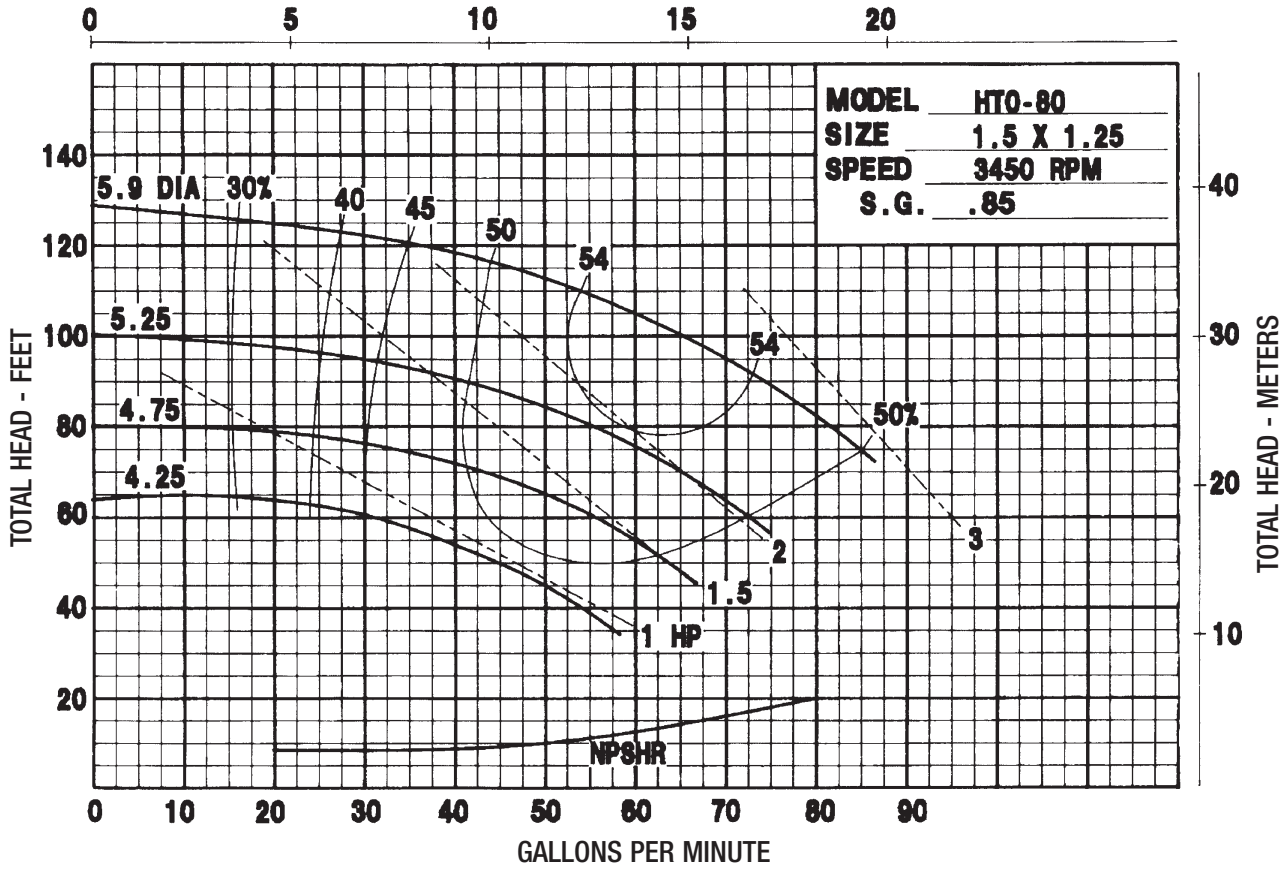
HTO 180



HTO 300



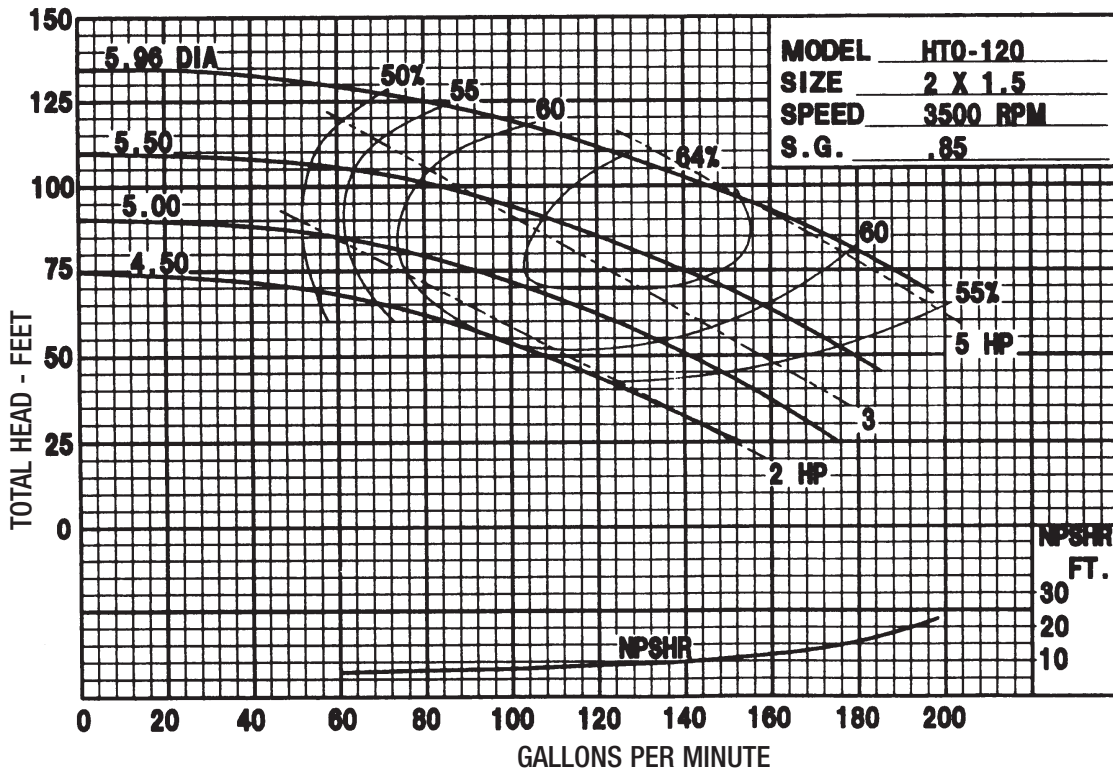
### HTO 80 Pump Performance Curves



Horsepower requirements based upon 0.85 specific gravity. Calculations can be applied for fluids of other specific gravities.

Maximum operating temperature is 650°F. Maximum working pressure is 150 PSI.

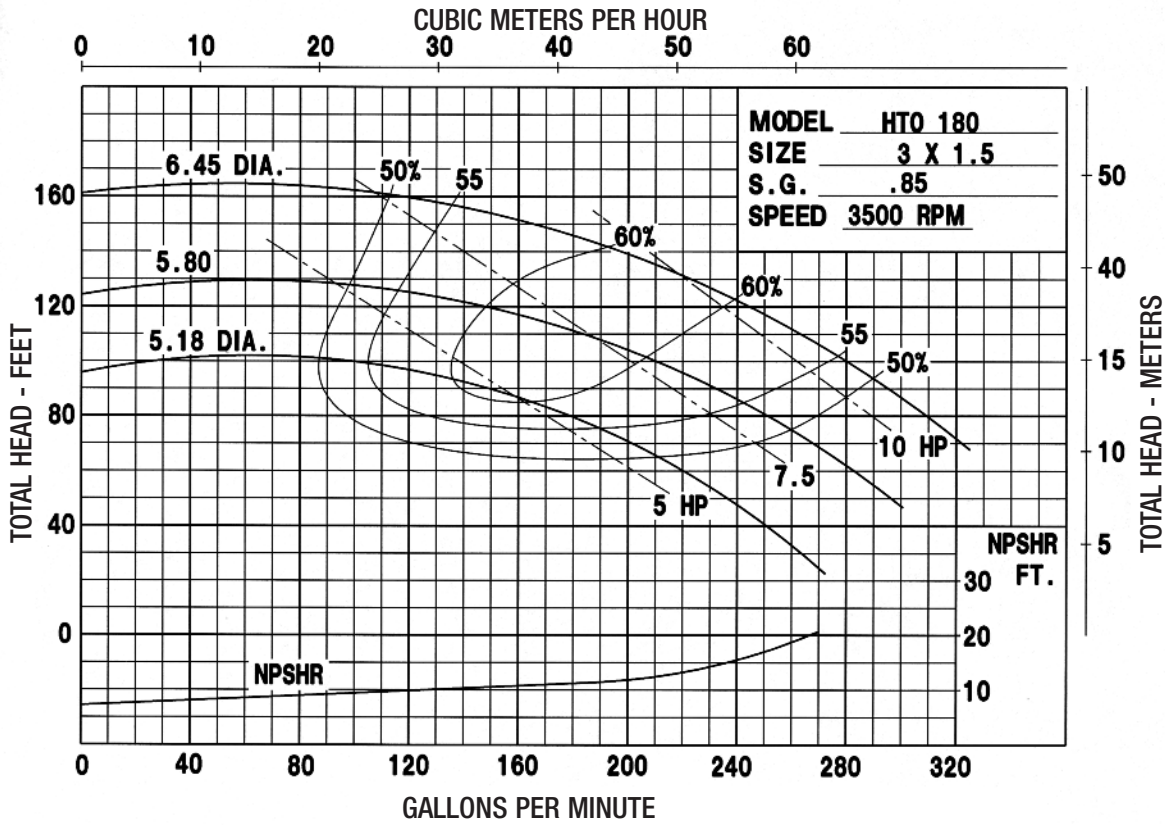
### HTO 120 Pump Performance Curves



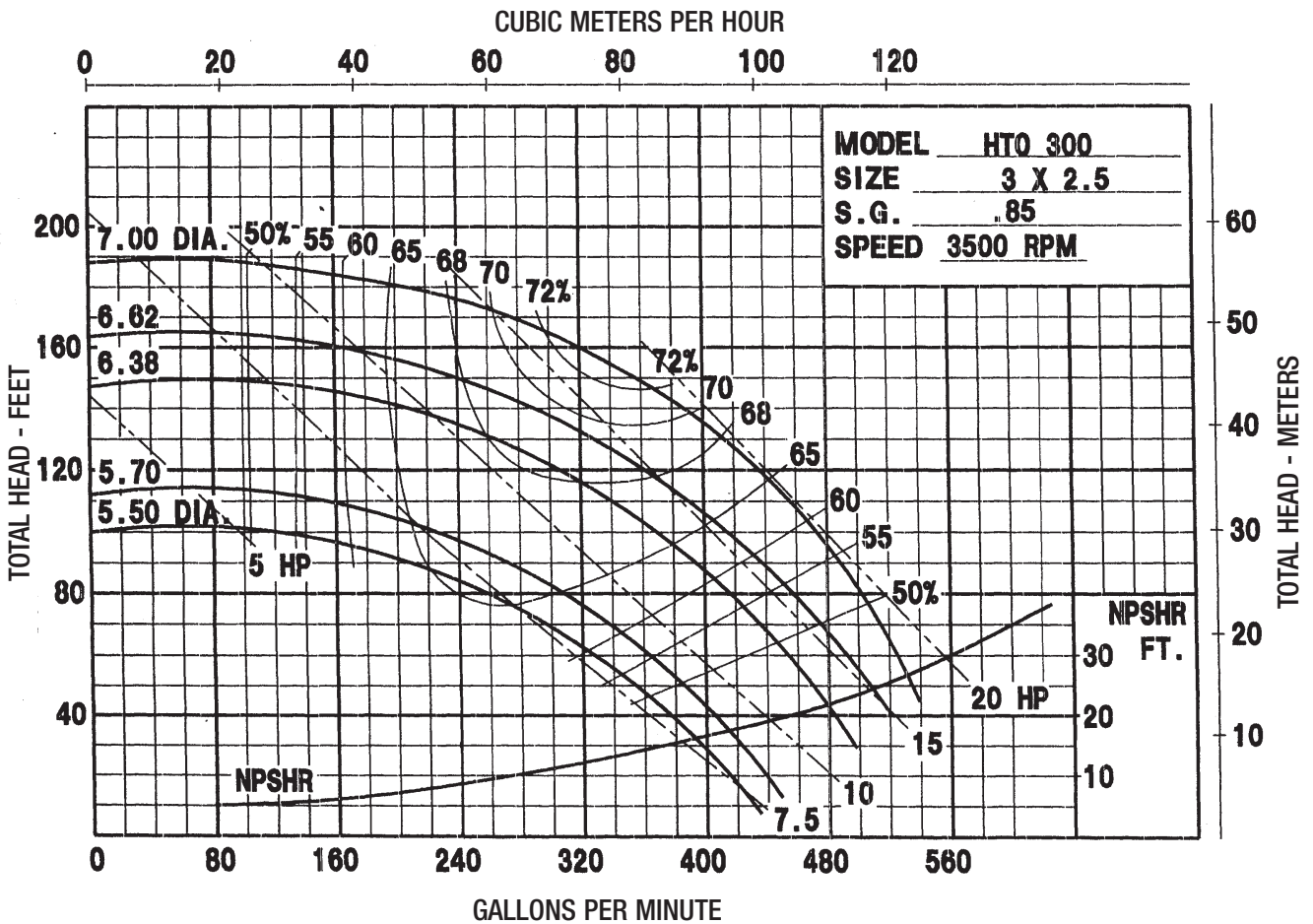
Horsepower requirements based upon 0.85 specific gravity. Calculations can be applied for fluids of other specific gravities.

Maximum operating temperature is 650°F. Maximum working pressure is 150 PSI.

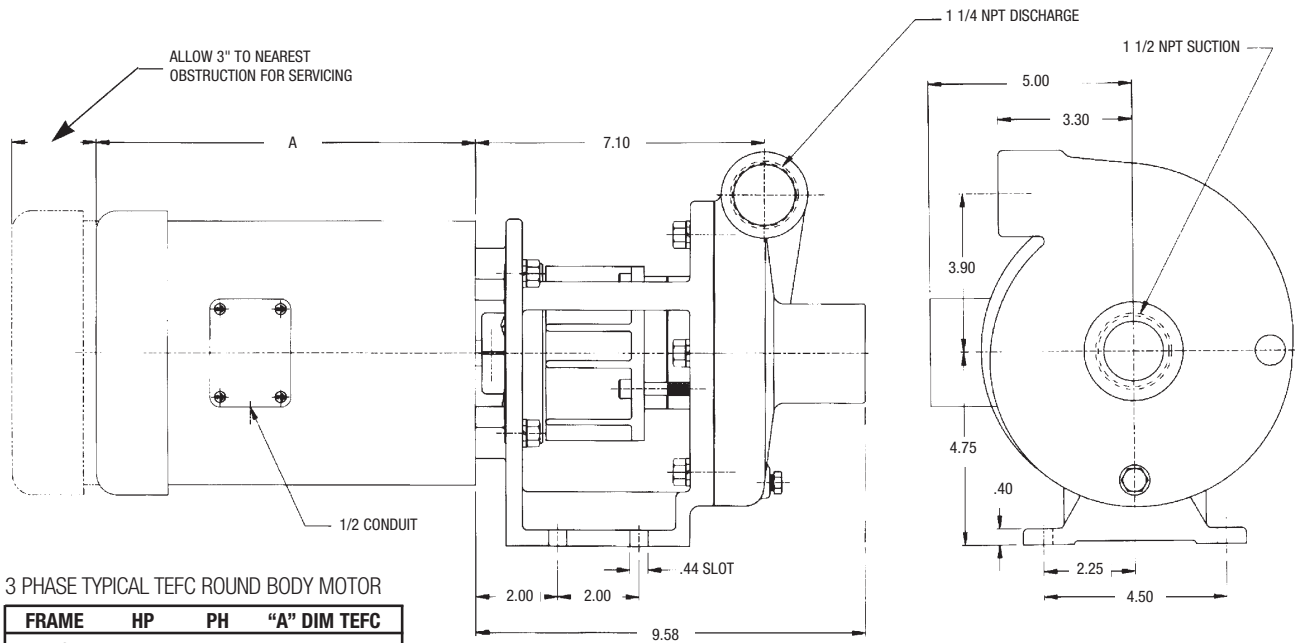
### HTO 180 Pump Performance Curves



### HTO 300 Pump Performance Curves



## HTO 80 Dimensions

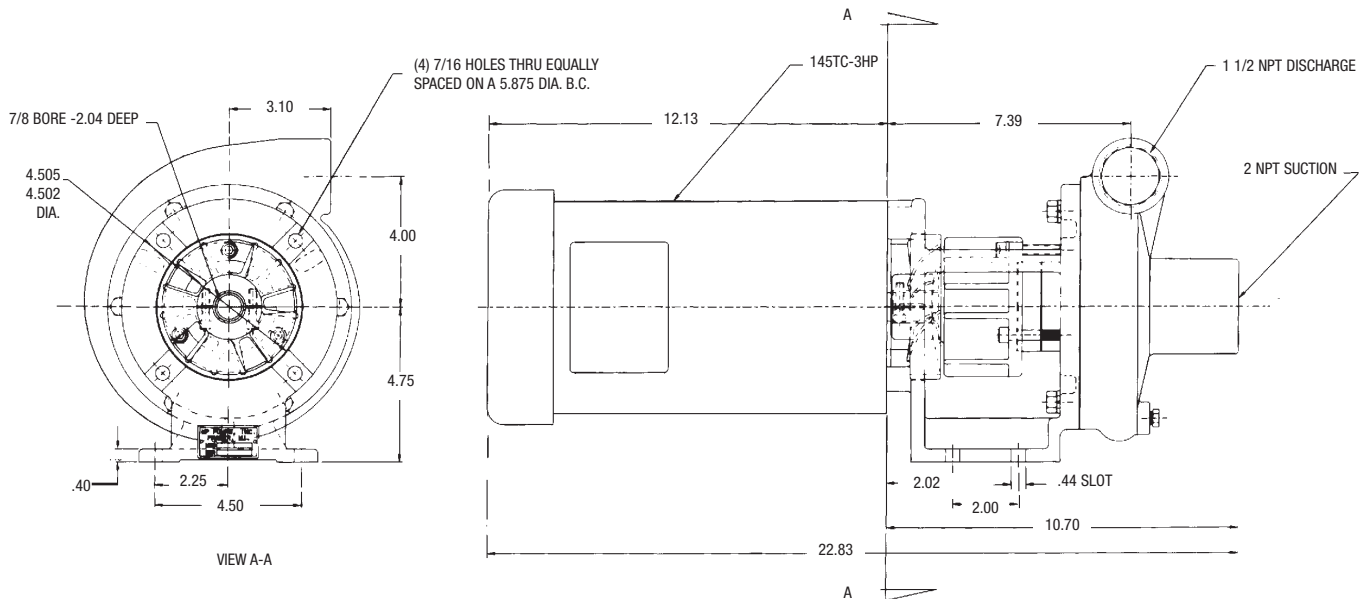


3 PHASE TYPICAL TEFC ROUND BODY MOTOR

FRAME	HP	PH	"A" DIM TEFC
56C	1	3	9.31
56C	1.5	3	9.94
56C	2	3	11.25
56C	3	3	12.12

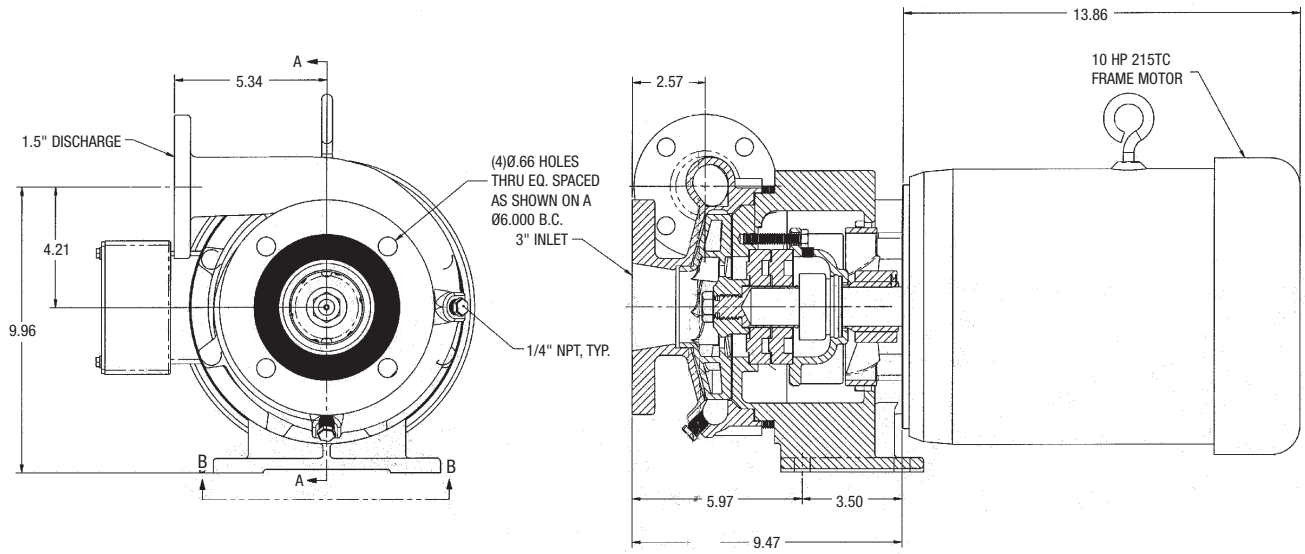
Pump dimensions certifiable for construction purposes.  
Motor dimensions dependent upon motor manufacturer.

## HTO 120 Dimensions



Pump dimensions certifiable for construction purposes.  
Motor dimensions dependent upon motor manufacturer.

**HTO 180 Dimensions**



**HTO 300 Dimensions**

