

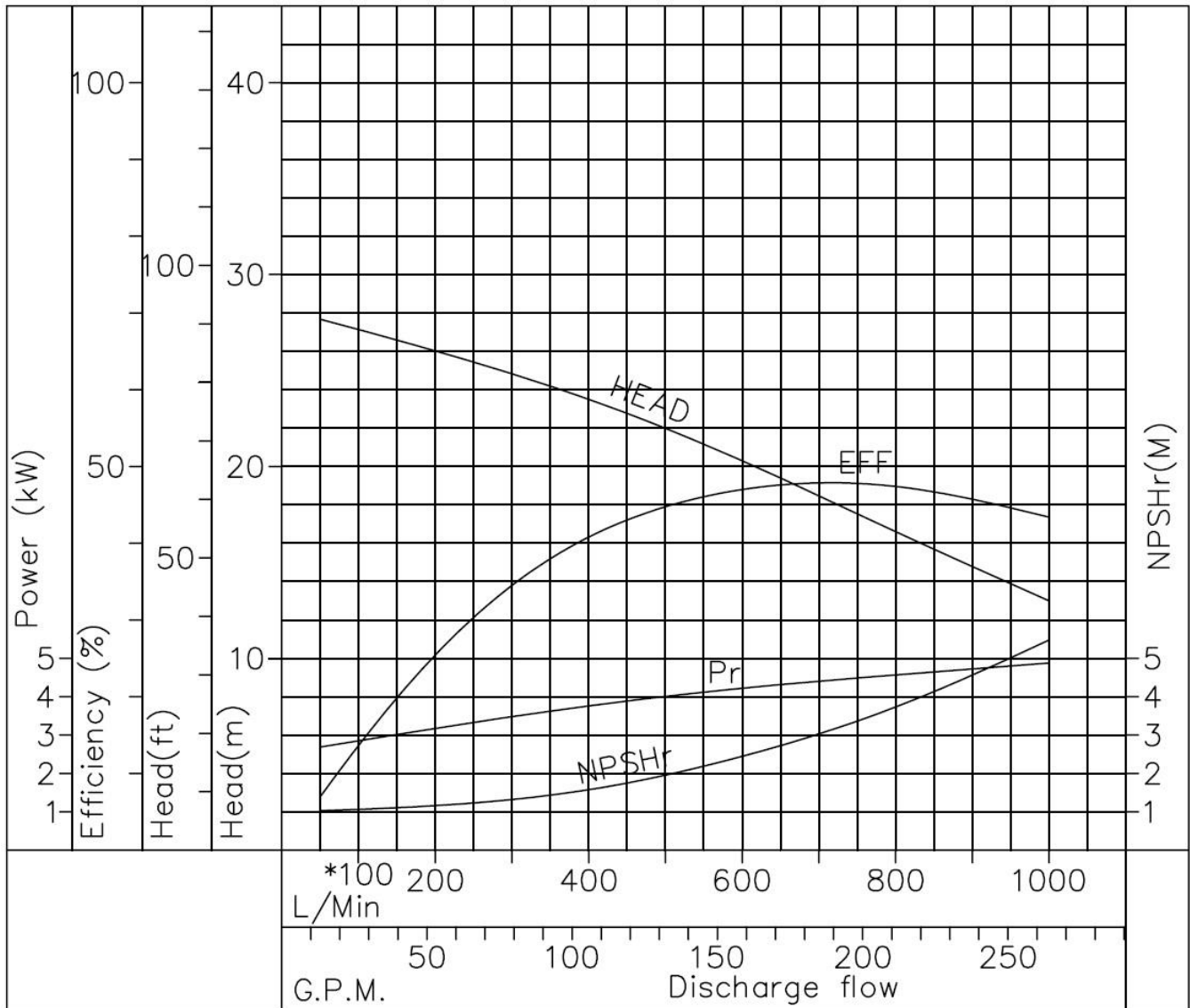
Performance Curve

SG : 1.1
REF No. A3400390
Frequency : 60Hz

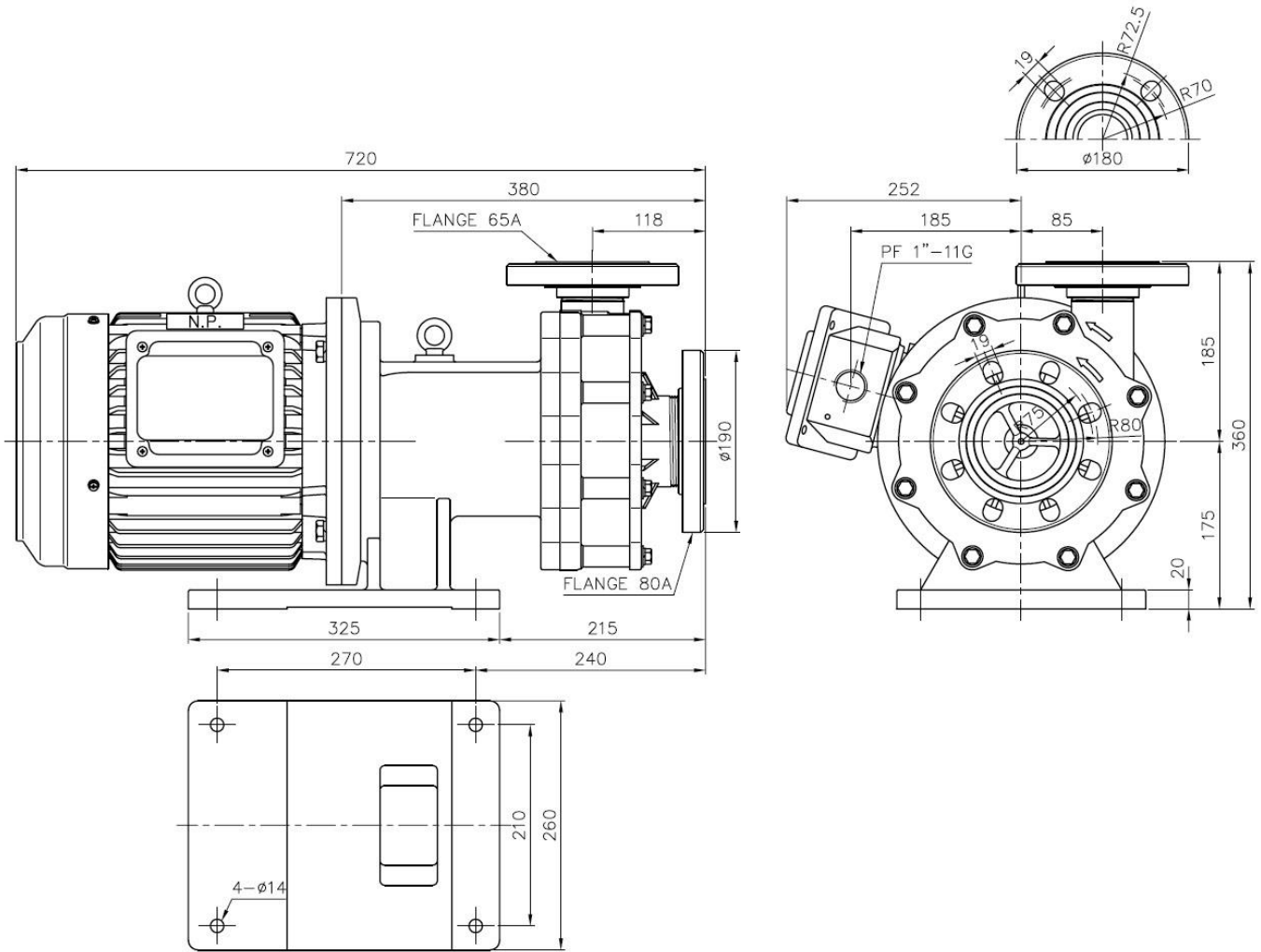
MODEL: NH-657PW(L)

IMPELLER DIA : 124 mm



	PUMP					MOTOR	
	Discharge Capacity	Discharge Gauge Head	Suction Gauge Head	Equivalent Velocity Head	Total Head	Pump Efficiency	Power Requirement
	L/MIN	M	M	M	M	%	kW
1	0	28.2	0	0	28.2	0	2.52
2	400	23.5	0	0	23.5	40.8	3.76
3	600	20.3	0	0	20.3	47.0	4.22
4	800	16.6	0	0	16.6	47.4	4.57
5	1000	13.0	0	0	13.0	43.4	4.88



- NOTE: 1. Specified point 18.0 m at 750 l/min
 2. Rated speed 3440 R.P.M.
 3. Temperature range 0 – 70°C
 4. Motor power 5.5 kW



DIMENSION TOLERANCE : JIS 16 CLASS

 		APPROVED		MDL, NAME		NH-657PW / NH-657PW-F	
UNIT	MM	CHECK	12 04 02	DWG, NAME		INSTALLATION DRAWING	
SCALE	1:4	DESIGN	01 23 02	DWG, NO.		B1673891	A3
EDITION	2	DR.BY	12 04 02 BECKY				