

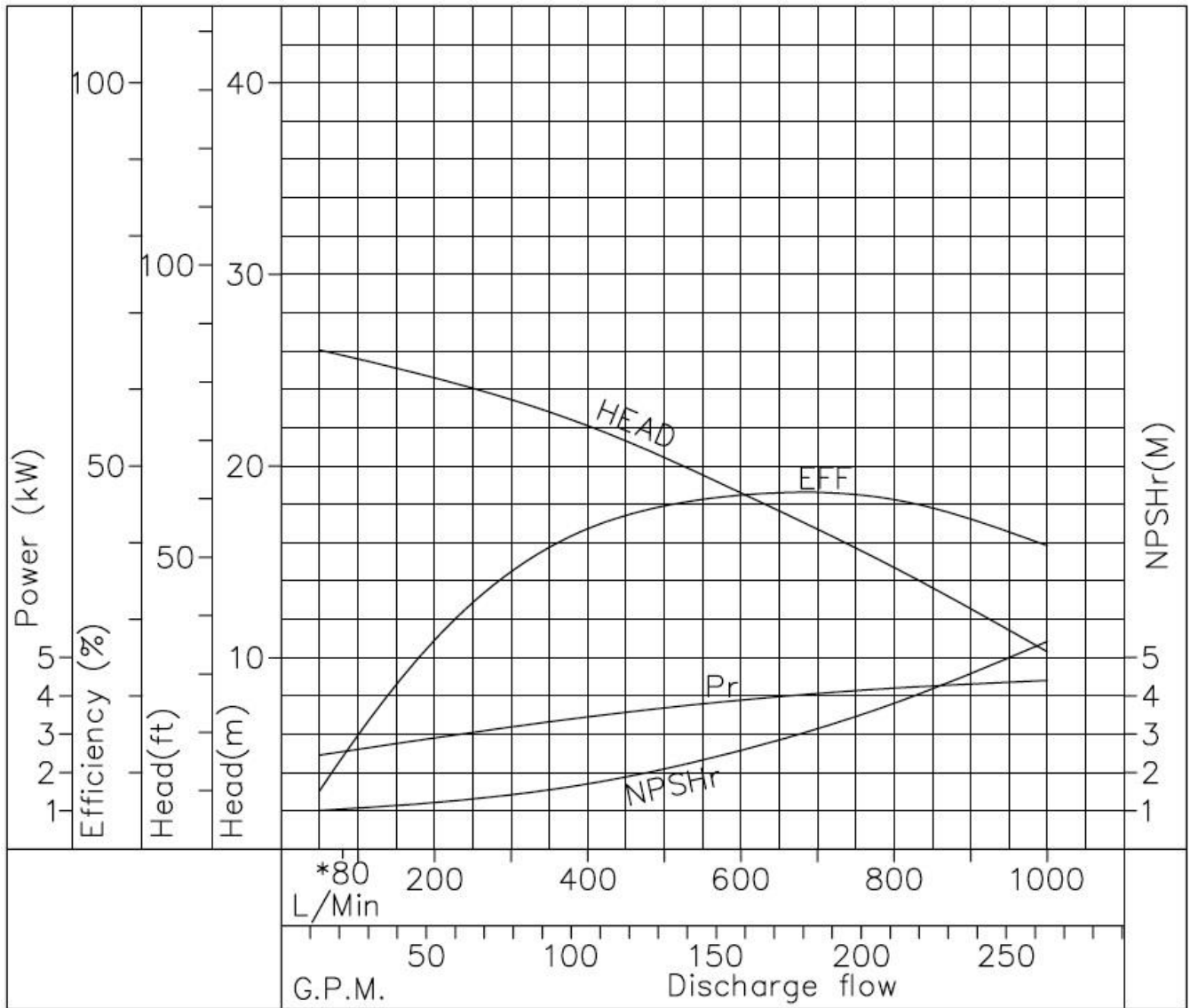
Performance Curve

SG : 1.2
REF No. A3400391
Frequency : 60Hz

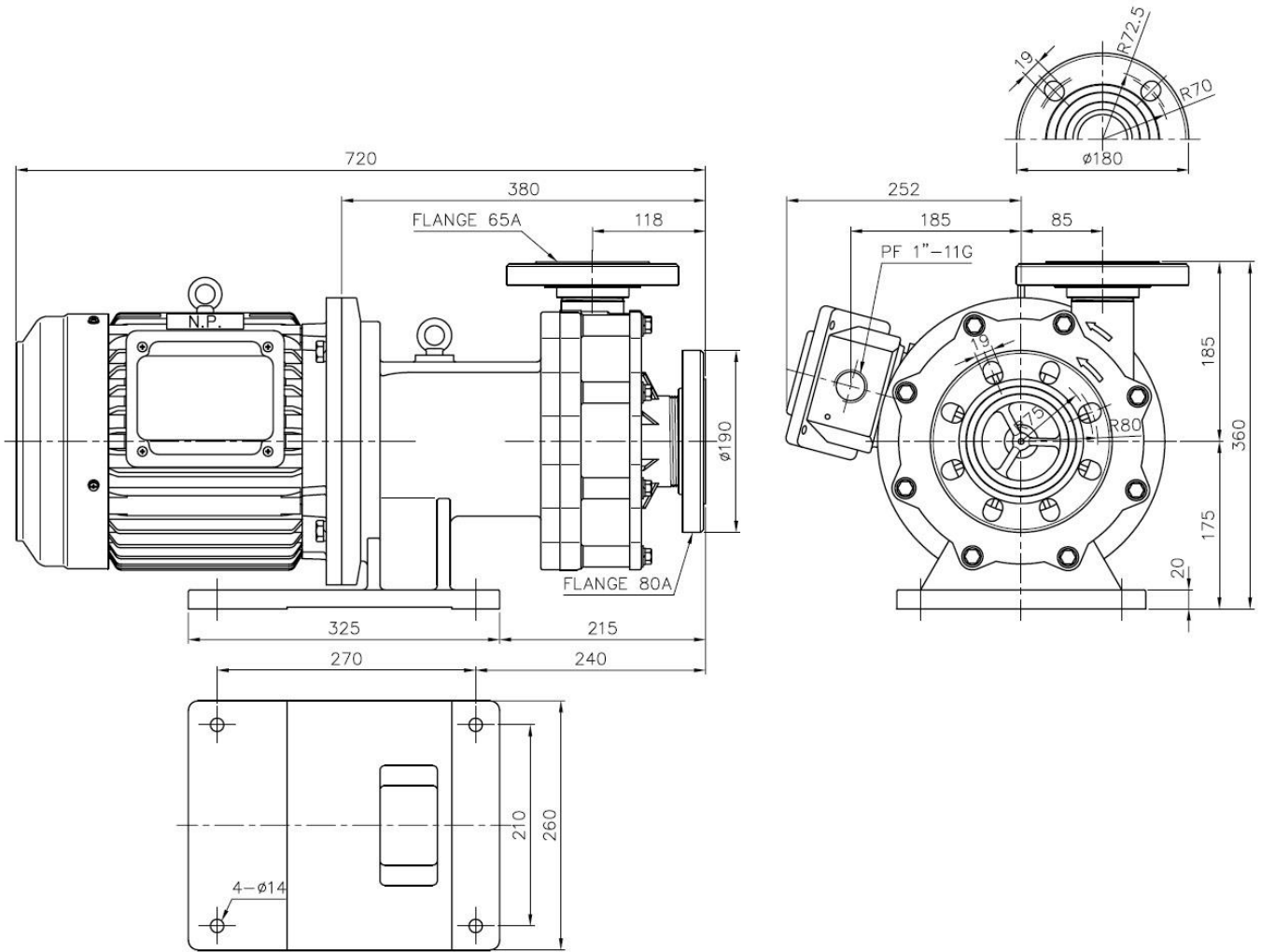
MODEL: NH-657PW-F(L)

IMPELLER DIA : 120 mm


	PUMP					MOTOR	
	Discharge Capacity	Discharge Gauge Head	Suction Gauge Head	Equivalent Velocity Head	Total Head	Pump Efficiency	Power Requirement
	L/MIN	M	M	M	M	%	kW
1	0	26.5	0	0	26.5	0	2.30
2	400	22.1	0	0	22.1	41.8	3.45
3	600	18.2	0	0	15.2	46.2	3.85
4	800	14.7	0	0	14.7	45.6	4.20
5	1000	10.7	0	0	10.7	39.6	4.40



- NOTE: 1. Specified point 18.0 m at 620 l/min
 2. Rated speed 3440 R.P.M.
 3. Temperature range 0 – 90°C
 4. Motor power 5.5 kW



DIMENSION TOLERANCE : JIS 16 CLASS

		APPROVED		MDL, NAME		NH-657PW / NH-657PW-F	
UNIT	MM	CHECK	12 04 02	DWG, NAME		INSTALLATION DRAWING	
SCALE	1:4	DESIGN	01 23 02	DWG, NO.		B1673891	A3
EDITION	2	DR.BY	12 04 02 BECKY				