



Expected Pump Performance Curve & Specifications (Reference)

Pump model : NH-50PX,NH-50PX-N,NH-50PX-F

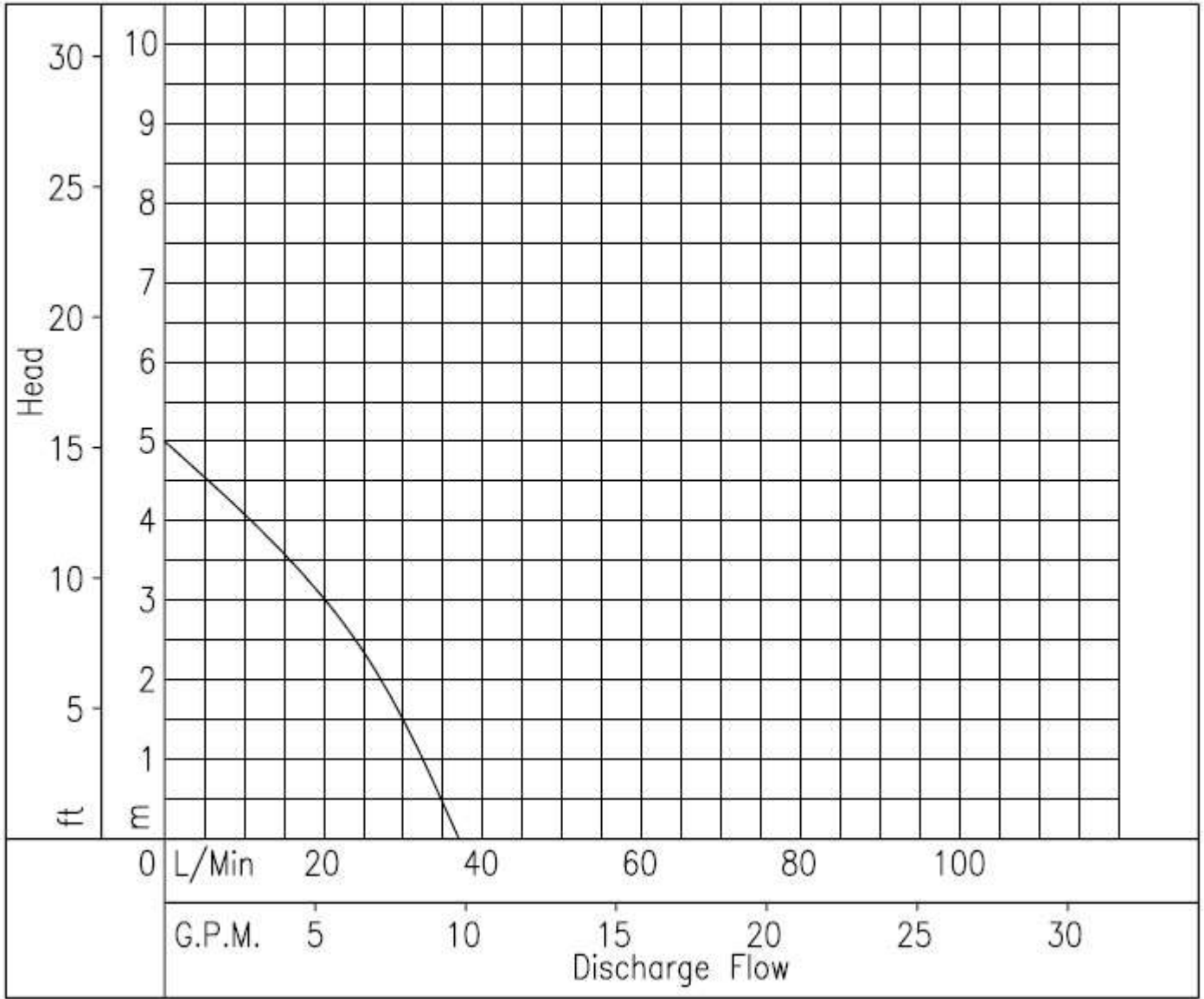
Pump specifications

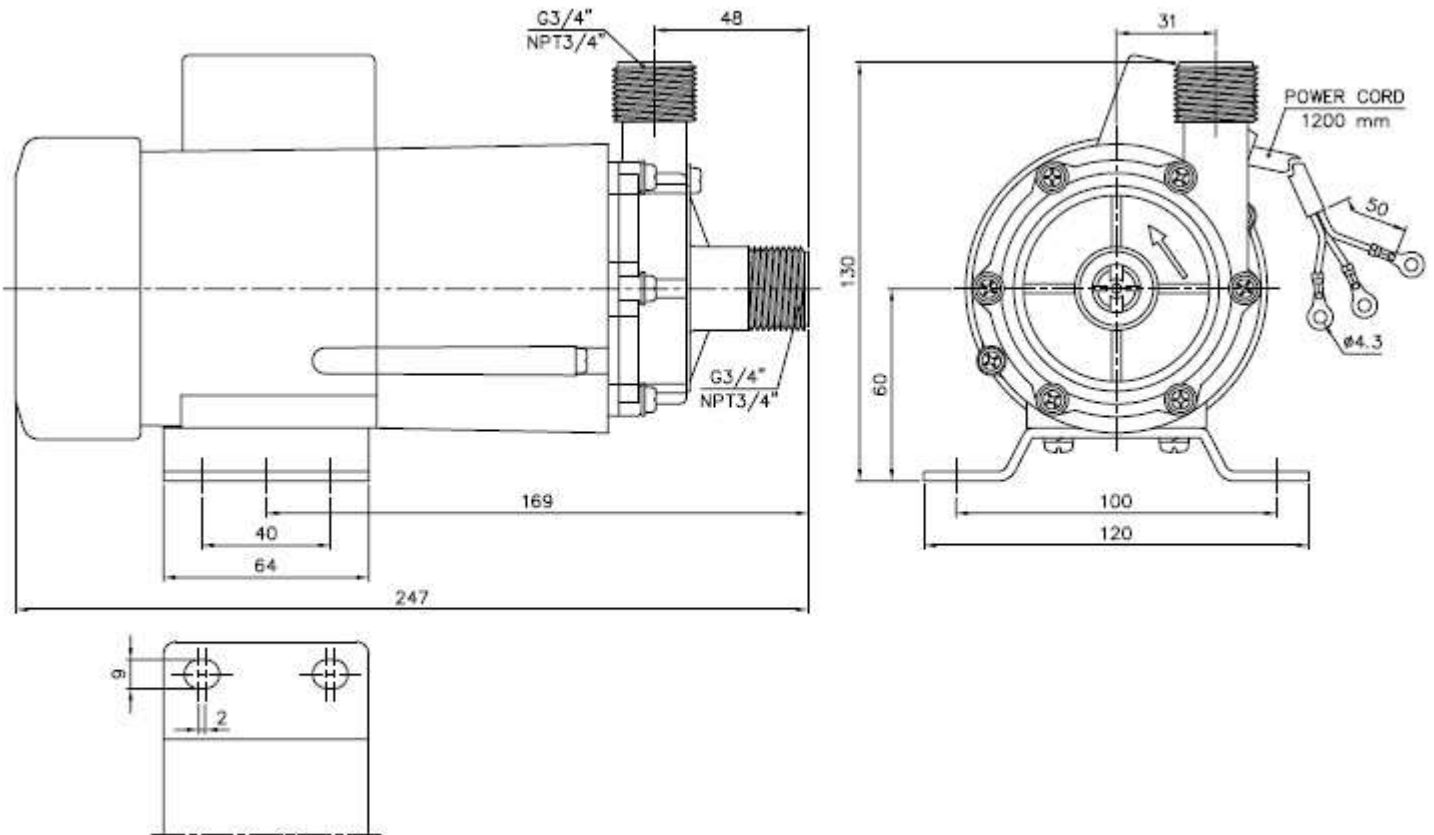
REF : A3400322

- | | | | | |
|-----|------------------------------------|---|----------------|-------|
| 1). | Specified point | : 2.5m at 24.0 L/Min | Frequency : | 60 Hz |
| 2). | Max Head – Discharge flow | : 5.0m – 37.0 L/Min | IMPELLER DIA : | 57 mm |
| 3). | Hose : H , Thread : T | | | |
| 4). | Permissible working Temp. | : PX series 0 ~ 60°C , Glass filled polypropylene | | |
| 5). | Permissible system pressure | : 0.75 Bar | | |
| 6). | Permissible environment conditions | : 0 ~ 40°C , Upto 85% | | |
| 7). | Nominal speed | : 3,000 r.p.m. | | |

Motor specifications

- | | | |
|-----|------------------------------|--------------------|
| 1). | Nominal output * input | : 45 * 110 Watters |
| 2). | Applicable voltage | : 100~120V/60Hz |
| 3). | Insulation grade | : E grade |
| 4). | Single phase capacitor motor | |





DIMENSION TOLERANCE : JIS 16 CLASS

		APPROVED		MDL, NAME	NH-50PX	NH-50PX-F
UNIT	MM	CHECK	07 16 02		NH-50PX-N	
SCALE	4:5	DESIGN	06 04 98	DWG, NAME	INSTALLATION DRAWING	
EDITION	2	DR.BY	07 16 02 BECKY	DWG, NO.	B1051175	A3