

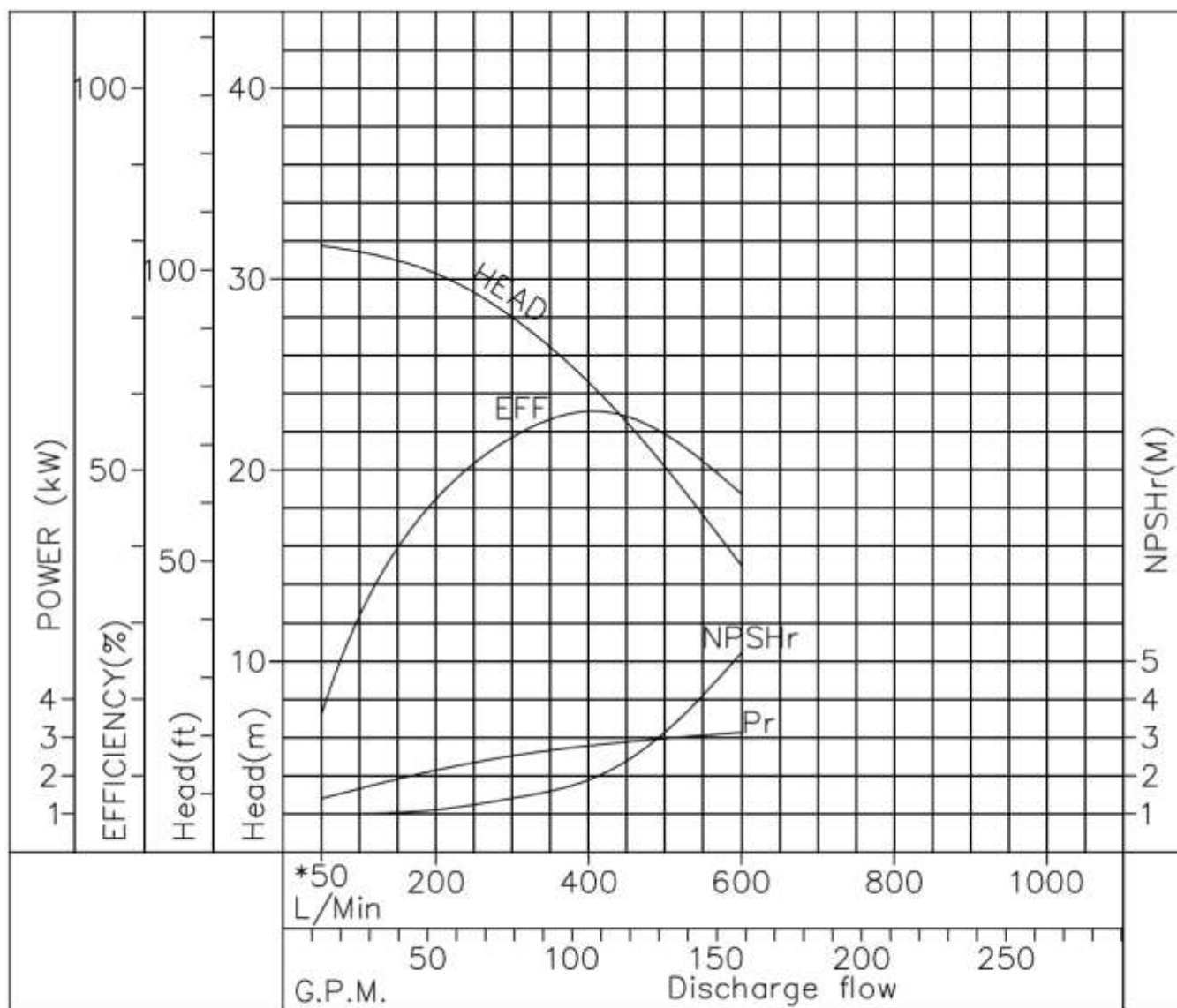
Performance Curve

SG : 1.1
REF No. A3400396
Frequency : 60Hz

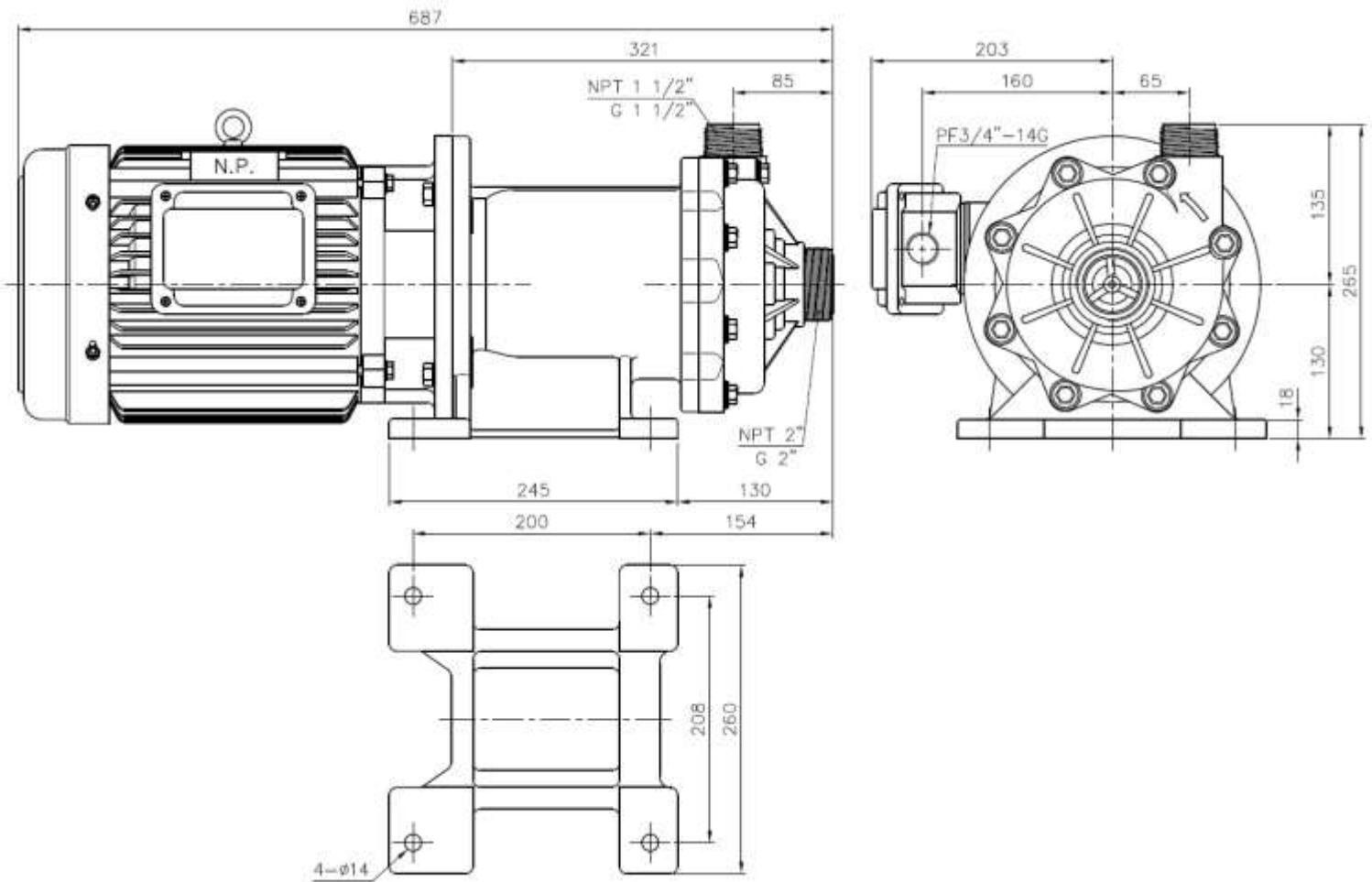
MODEL: NH-405PW(L)

IMPELLER DIA : 136 mm

	PUMP					MOTOR	
	Discharge Capacity	Discharge Gauge Head	Suction Gauge Head	Equivalent Velocity Head	Total Head	Pump Efficiency	Power Requirement
	L/MIN	M	M	M	M	%	kW
1	0	32.0	0	0	32.0	0	1.13
2	200	30.3	0	0	30.3	46.2	2.14
3	300	28.0	0	0	28.0	54.3	2.52
4	400	24.6	0	0	24.6	57.7	2.78
5	600	15.0	0	0	15.0	46.9	3.13



- NOTE:
- Specified point: 24 m at 420 l/min
 - Rated speed: 3440 R.P.M.
 - Temperature range: 0 – 70°C
 - Motor power: 3.7 kW



DIMENSION TOLERANCE : JIS 16 CLASS

		APPROVED		MDL, NAME	NH-405PW	NH-405PW-F
UNIT	MM	CHECK	08 15 11	DWG, NAME	NH-405PW-K INSTALLATION DRAWING	
SCALE	3:10	DESIGN	12 27 01	DWG, NO.	B1453446	A3
EDITION	3	DR.BY	08 15 11 FANNY			