

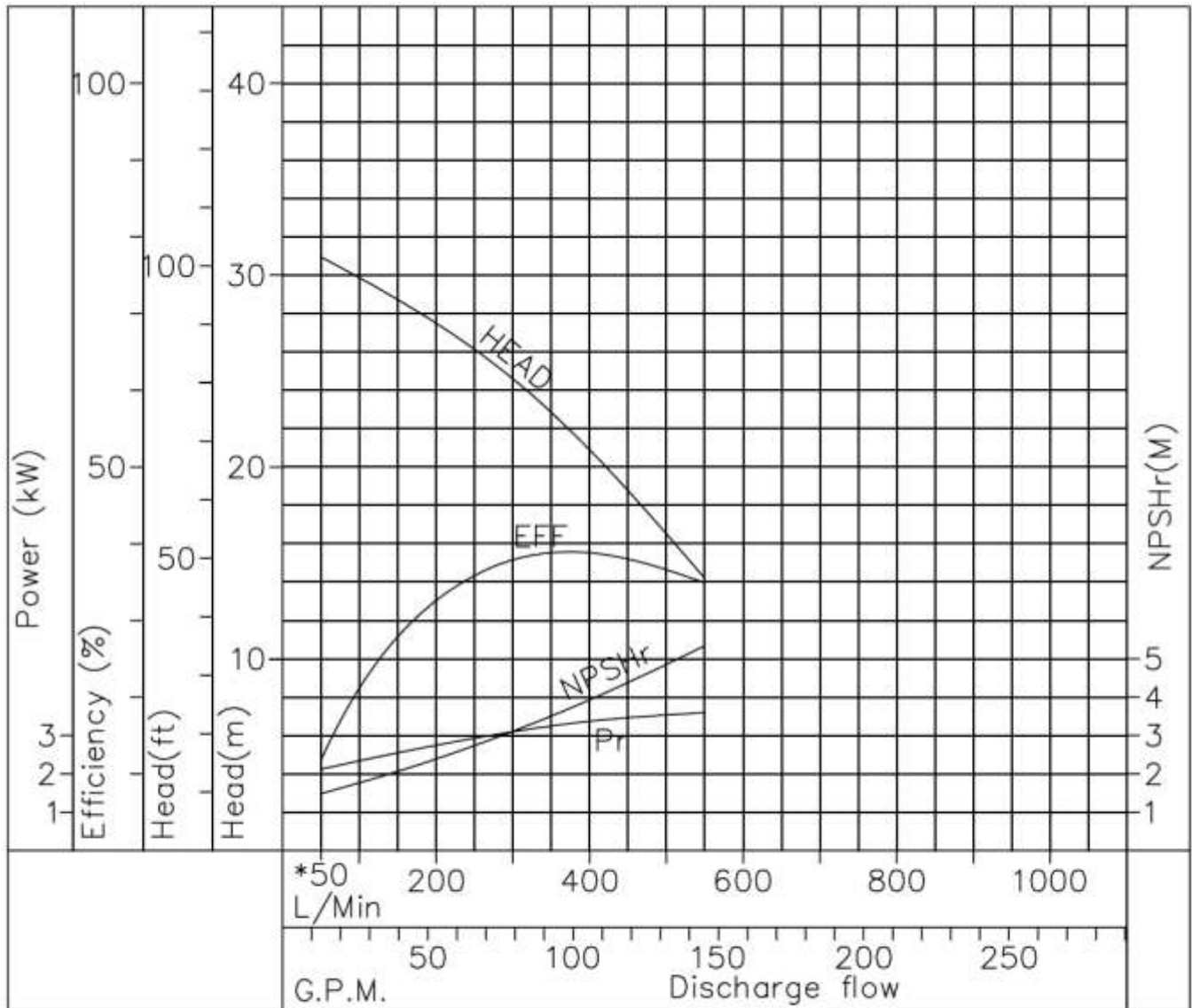
# Performance Curve

SG : 1.2  
 REF No. A3400205  
 Frequency : 60Hz

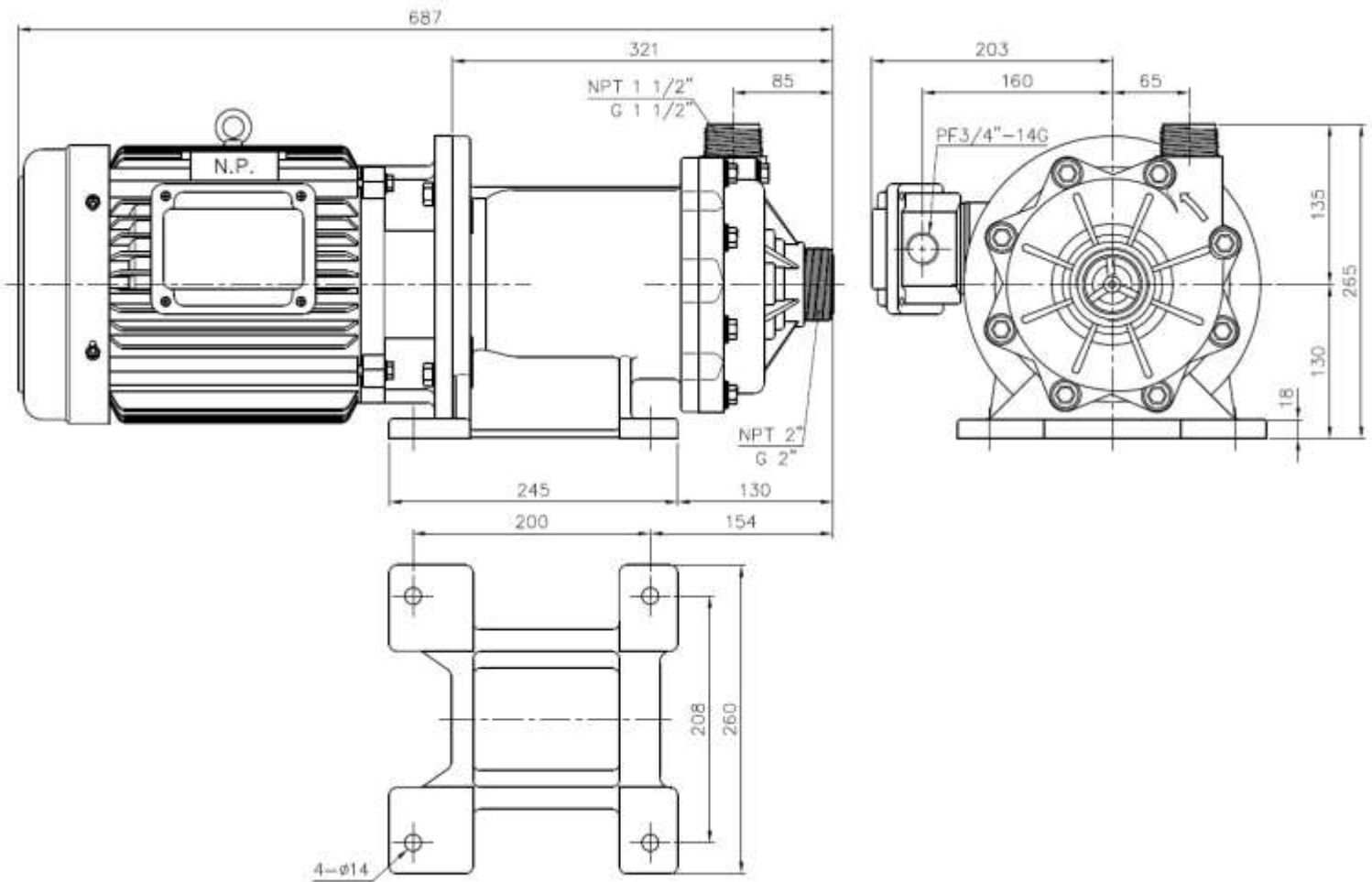
MODEL: NH-405PW-F(L)

IMPELLER DIA : 133 mm

	PUMP					MOTOR	
	Discharge Capacity	Discharge Gauge Head	Suction Gauge Head	Equivalent Velocity Head	Total Head	Pump Efficiency	Power Requirement
	L/MIN	M	M	M	M	%	kW
1	0	32.0	0	0	32.0	0	1.90
2	200	27.5	0	0	27.5	32.6	2.75
3	300	24.0	0	0	24.0	37.9	3.10
4	390	20.5	0	0	20.5	38.9	3.35
5	550	14.0	0	0	14.0	34.9	3.60



- NOTE: 1. Specified point 20.5 m at 390 l/min  
 2. Rated speed 3440 R.P.M.  
 3. Temperature range 0 – 90°C  
 4. Motor power 3.7 kW



DIMENSION TOLERANCE : JIS 16 CLASS

		APPROVED		MDL, NAME	NH-405PW	NH-405PW-F
UNIT	MM	CHECK	08 15 11	DWG, NAME	NH-405PW-K	
SCALE	3:10	DESIGN	12 27 01	DWG, NO.	B1453446	A3
EDITION	3	DR.BY	08 15 11 FANNY			