

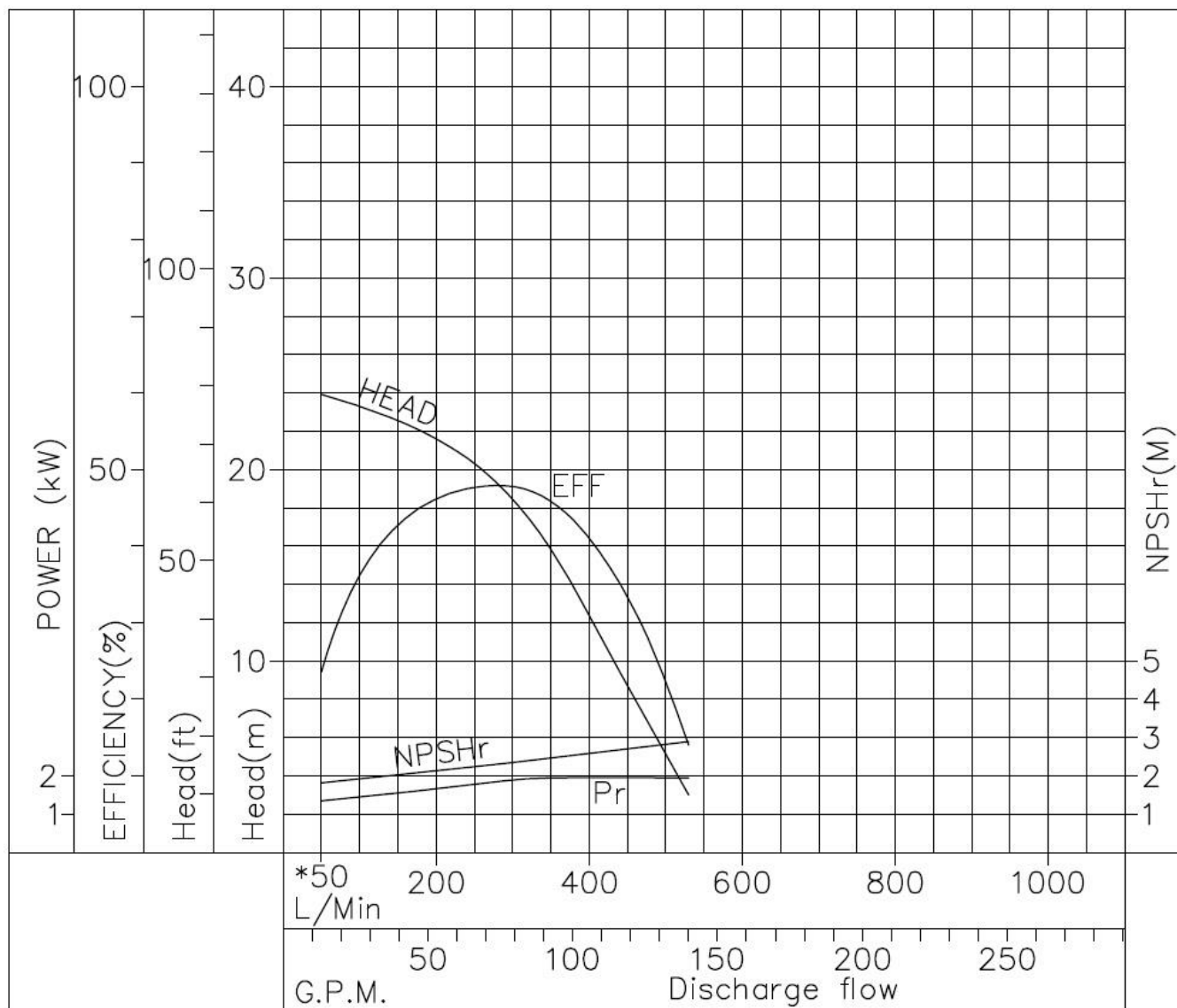
Performance Curve

SG : 1.1
REF No. A3400186
Frequency : 60Hz

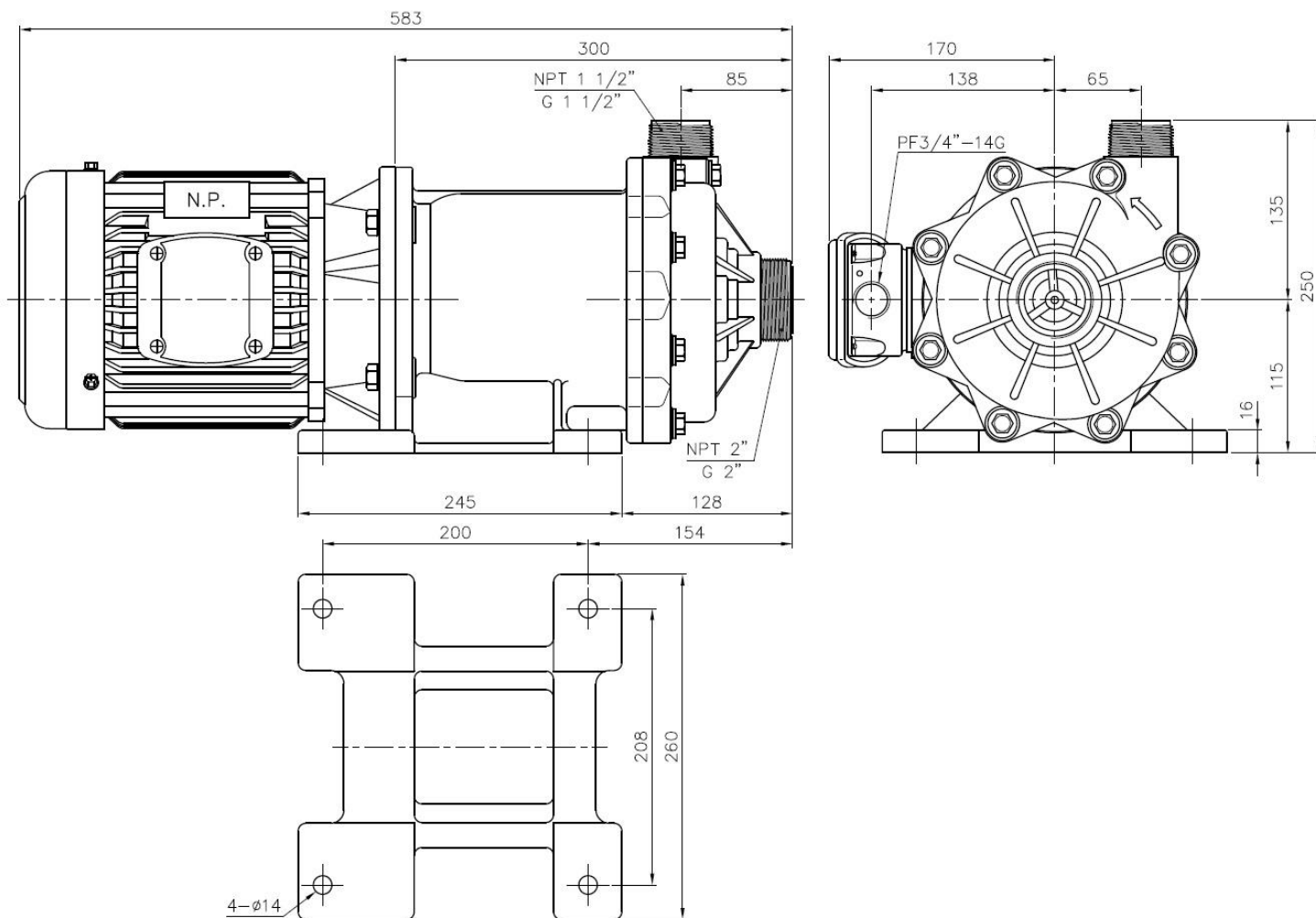
MODEL: NH-403PW(L)

IMPELLER DIA : 116 mm

	PUMP					MOTOR	
	Discharge Capacity	Discharge Gauge Head	Suction Gauge Head	Equivalent Velocity Head	Total Head	Pump Efficiency	Power Requirement
	L/MIN	M	M	M	M	%	kW
1	0	24.5	0	0	24.5	0	1.25
2	260	20.0	0	0	20.0	47.8	1.70
3	310	18.0	0	0	18.0	47.6	1.91
4	420	10.5	0	0	10.5	26.3	1.95
5	530	3.0	0	0	3.0	14.0	1.95



- NOTE:
- | | |
|----------------------|---------------------|
| 1. Specified point | 19.0 m at 280 l/min |
| 2. Rated speed | 3440 R.P.M. |
| 3. Temperature range | 0 – 70°C |
| 4. Motor power | 2.2 kW |



DIMENSION TOLERANCE : JIS 16 CLASS

		APPROVED		NH-402PW NH-403PW NH-402PW-F NH-403PW-F NH-402PW-K NH-403PW-K	
UNIT	MM	CHECK	08 12 11	MDL, NAME	
SCALE	7:20	DESIGN	09 23 98	DWG, NAME	
EDITION	3	DR.BY	08 12 11 FANNY	INSTALLATION DRAWING	
				DWG, NO.	
				B1423445 A3	