

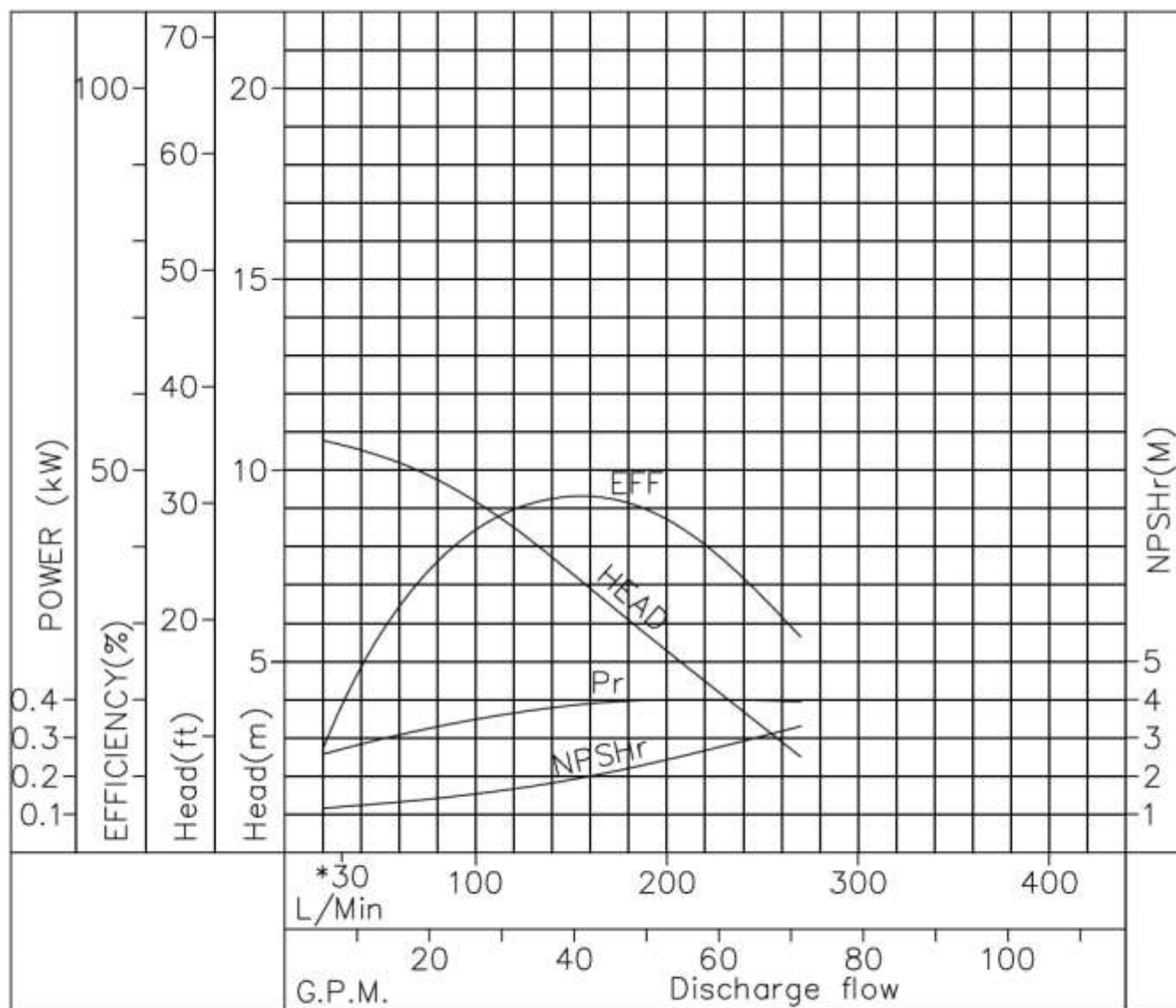
Performance Curve

SG : 1.1
REF No. A3400176
Frequency : 60Hz

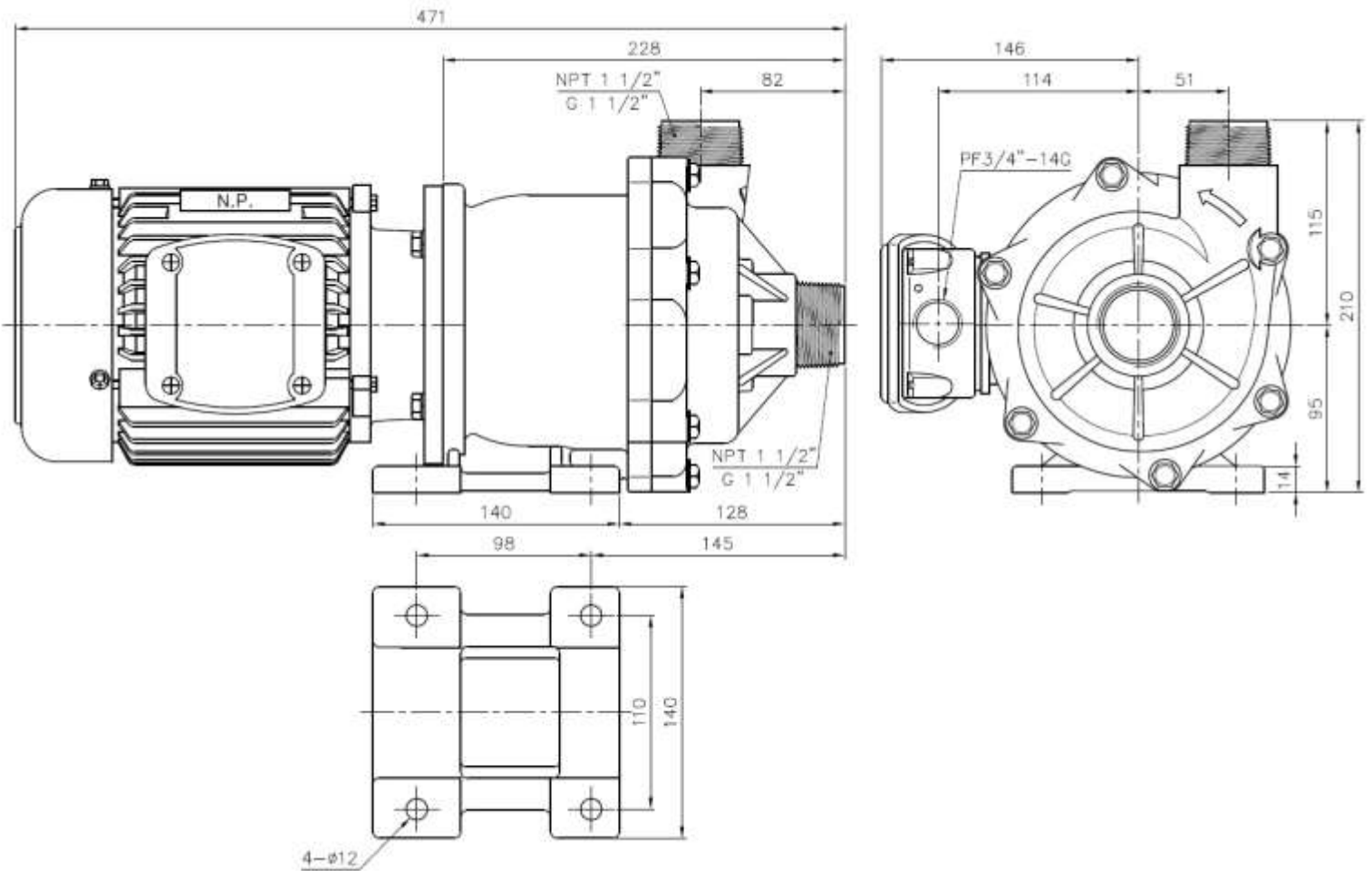
MODEL: NH-400PW(L)

IMPELLER DIA : 80 mm

	PUMP					MOTOR	
	Discharge Capacity	Discharge Gauge Head	Suction Gauge Head	Equivalent Velocity Head	Total Head	Pump Efficiency	Power Requirement
	L/MIN	M	M	M	M	%	kW
1	0	11.0	0	0	11.0	0	0.230
2	60	10.2	0	0	10.2	32.2	0.313
3	120	8.5	0	0	8.5	44.9	0.370
4	160	6.7	0	0	6.7	46.6	0.375
5	270	2.5	0	0	2.5	28.2	0.395



- NOTE: 1. Specified point 6.7 m at 160 l/min
 2. Rated speed 3440 R.P.M.
 3. Temperature range 0 – 70°C
 4. Motor power 0.37 kW



DIMENSION TOLERANCE : JIS 16 CLASS

		APPROVED		MDL, NAME		NH-400PW NH-400PW-F	
UNIT	MM	CHECK	08 09 11	DWG, NAME		INSTALLATION DRAWING	
SCALE	9:20	DESIGN	10 27 98	DWG, NO.		B1403443	A3
EDITION	3	DR.BY	08 09 11 FANNY				