

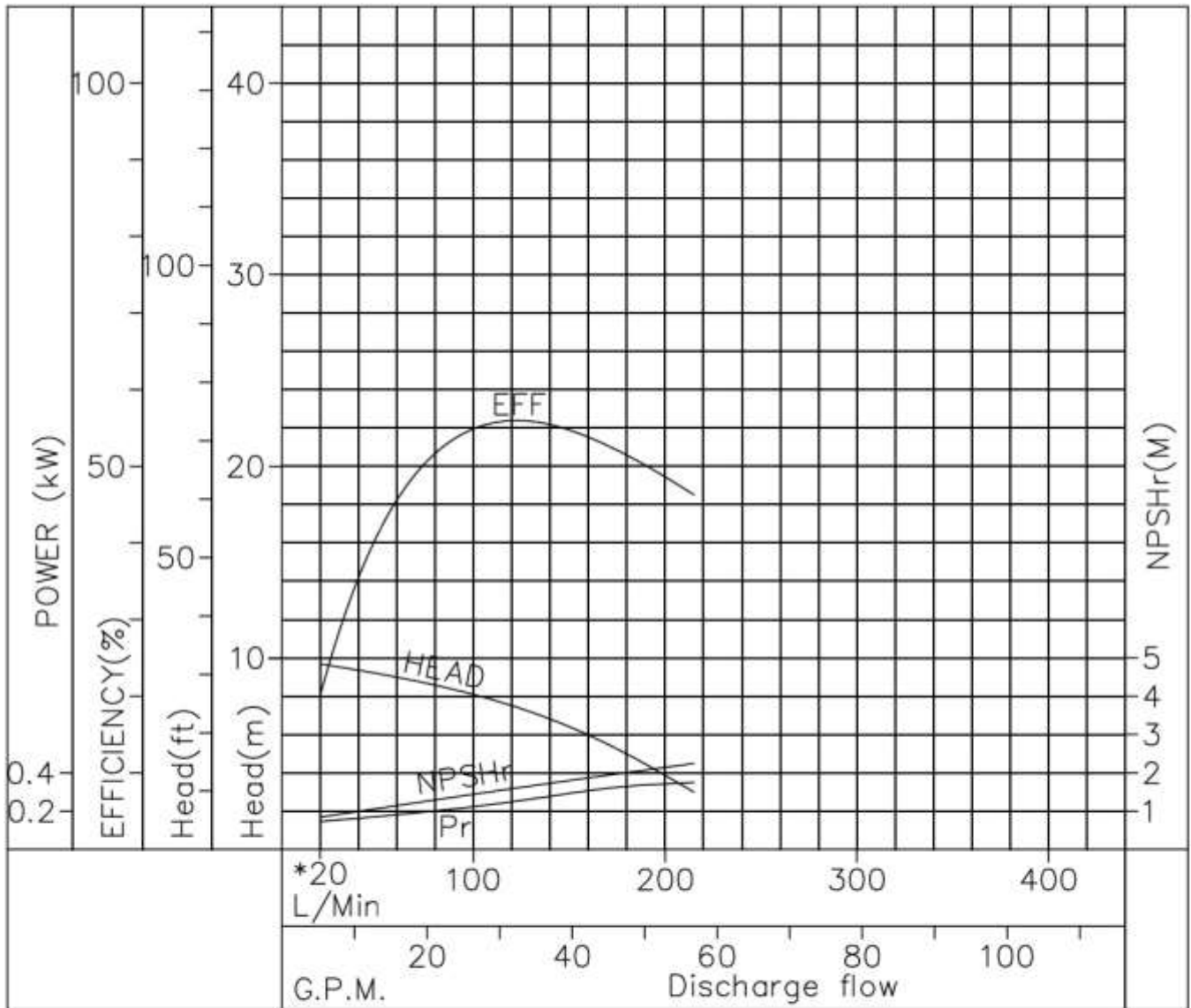
## Performance Curve

SG : 1.2  
 REF No. A3400190  
 Frequency : 60Hz

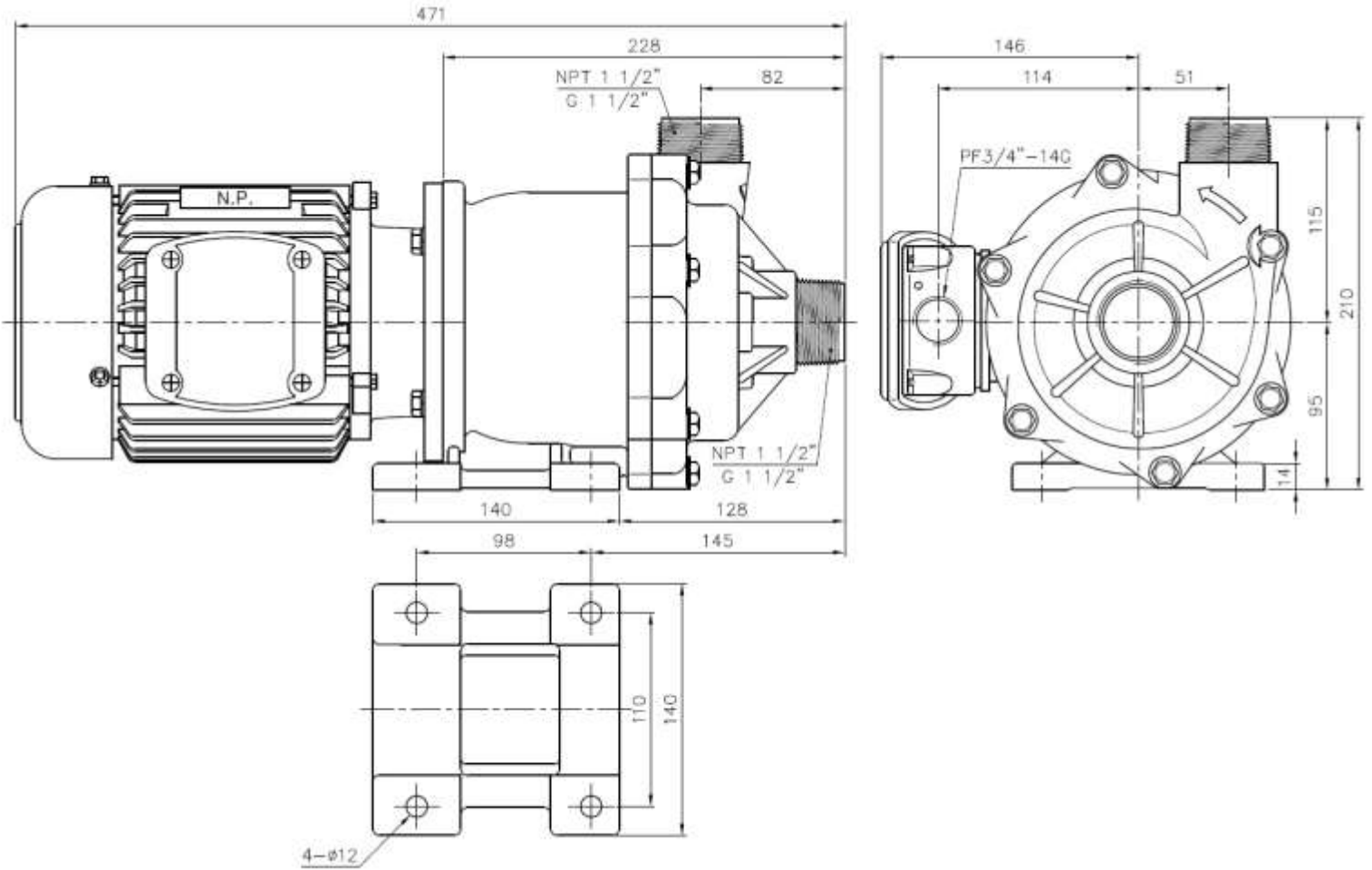
MODEL: NH-400PW-F(L)

IMPELLER DIA : 77 mm

	PUMP					MOTOR	
	Discharge Capacity	Discharge Gouge Head	Suction Gouge Head	Equivalent Velocity Head	Total Head	Pump Efficiency	Power Requirement
	L/MIN	M	M	M	M	%	kW
1	0	10.0	0	0	10.0	0	0.13
2	135	7.0	0	0	7.0	55.7	0.27
3	170	5.5	0	0	5.5	52.7	0.32
4	215	3.0	0	0	3.0	46.3	0.35
5	--	--	--	--	--	--	--



- NOTE: 1. Specified point 8.0 m at 110 l/min  
 2. Rated speed 3440 R.P.M.  
 3. Temperature range 0 - 90°C  
 4. Motor power 0.37 kW



DIMENSION TOLERANCE : JIS 16 CLASS

		APPROVED		MDL, NAME		NH-400PW    NH-400PW-F	
UNIT	MM	CHECK	08 09 11	DWG, NAME		INSTALLATION DRAWING	
SCALE	9:20	DESIGN	10 27 98	DWG, NO.		B1403443	A3
EDITION	3	DR.BY	08 09 11 FANNY				