

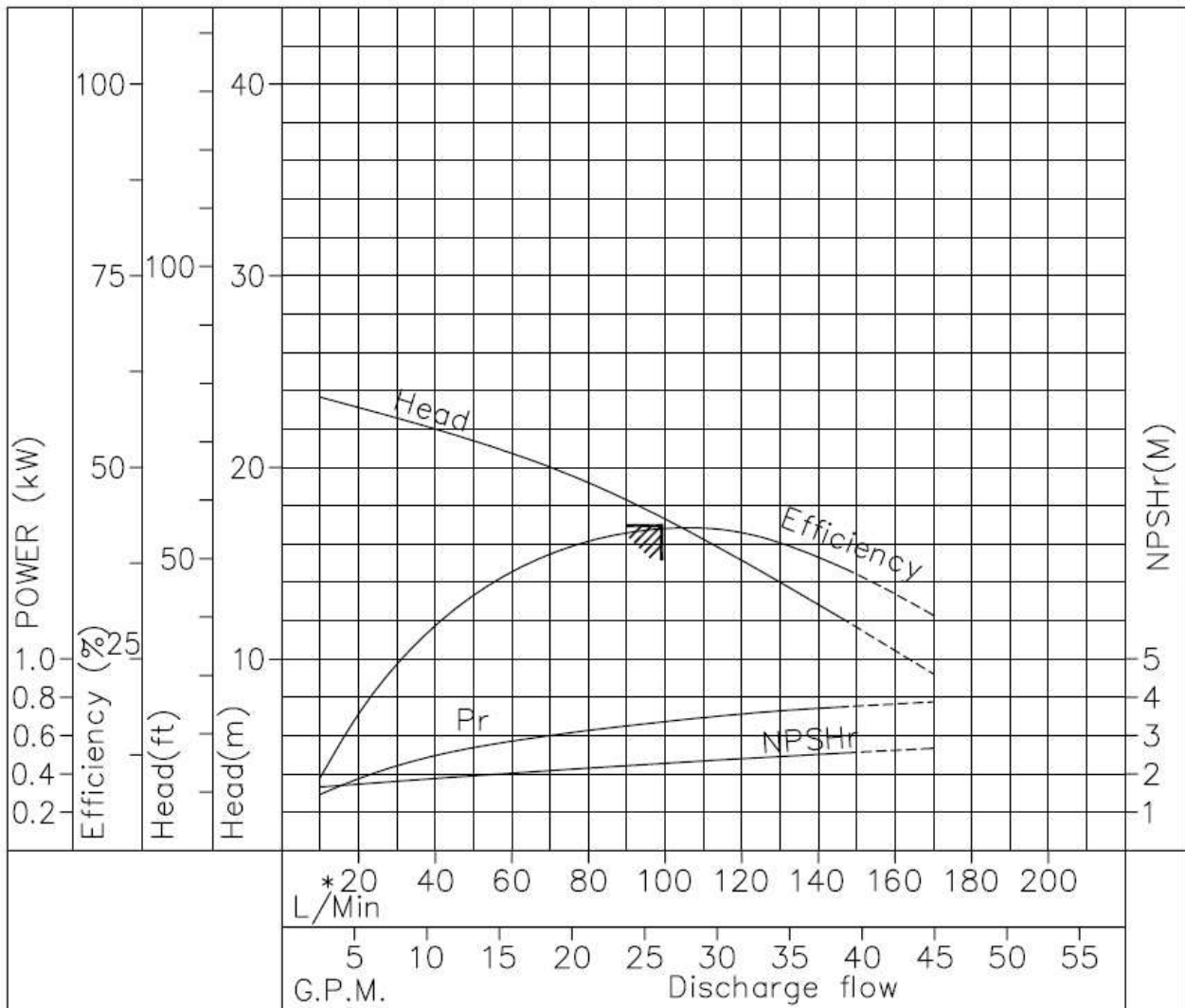
Performance Curve

SG : 1.0
 REF No. A3400689
 Frequency : 60Hz

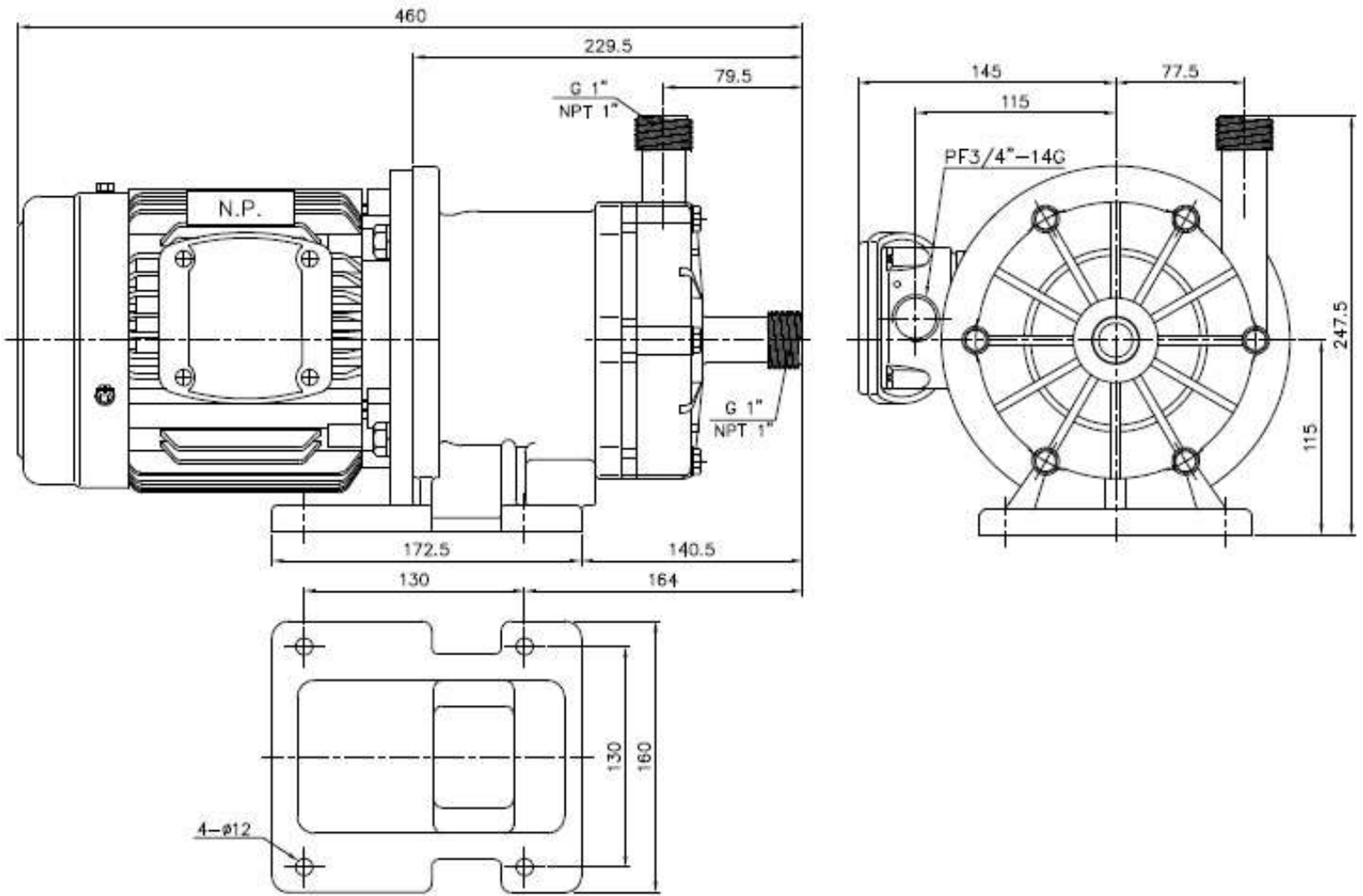
MODEL: NH-351PW(S)

IMPELLER DIA : 110 mm

	PUMP					MOTOR	
	Discharge Capacity	Discharge Gauge Head	Suction Gauge Head	Equivalent Velocity Head	Total Head	Pump Efficiency	Power Requirement
	L/MIN	M	M	M	M	%	kW
1	0	24.2	-0.6	0	24.8	0	0.203
2	40	22.0	-0.5	0	22.5	29.58	0.496
3	80	19.2	-0.4	0	19.6	40.31	0.634
4	100	17.3	-0.3	0	17.6	42.63	0.673
5	170	8.9	0.3	0	8.6	30.71	0.776



- NOTE: 1. Specified point 17.3 m at 100 l/min
 2. Rated speed 3440 R.P.M.
 3. Temperature range 0 – 70 °C
 4. Motor power 0.75 kW



DIMENSION TOLERANCE : JIS 16 CLASS

		APPROVED		MDL, NAME	NH-351PW	NH-351PW-F
UNIT	MM	CHECK	08 11 11	DWG, NAME	NH-351PW-K	
SCALE	9:20	DESIGN	01 20 09	DWG, NO.	E1363839	A3
EDITION	2	DR.BY	08 11 11 FANNY			