

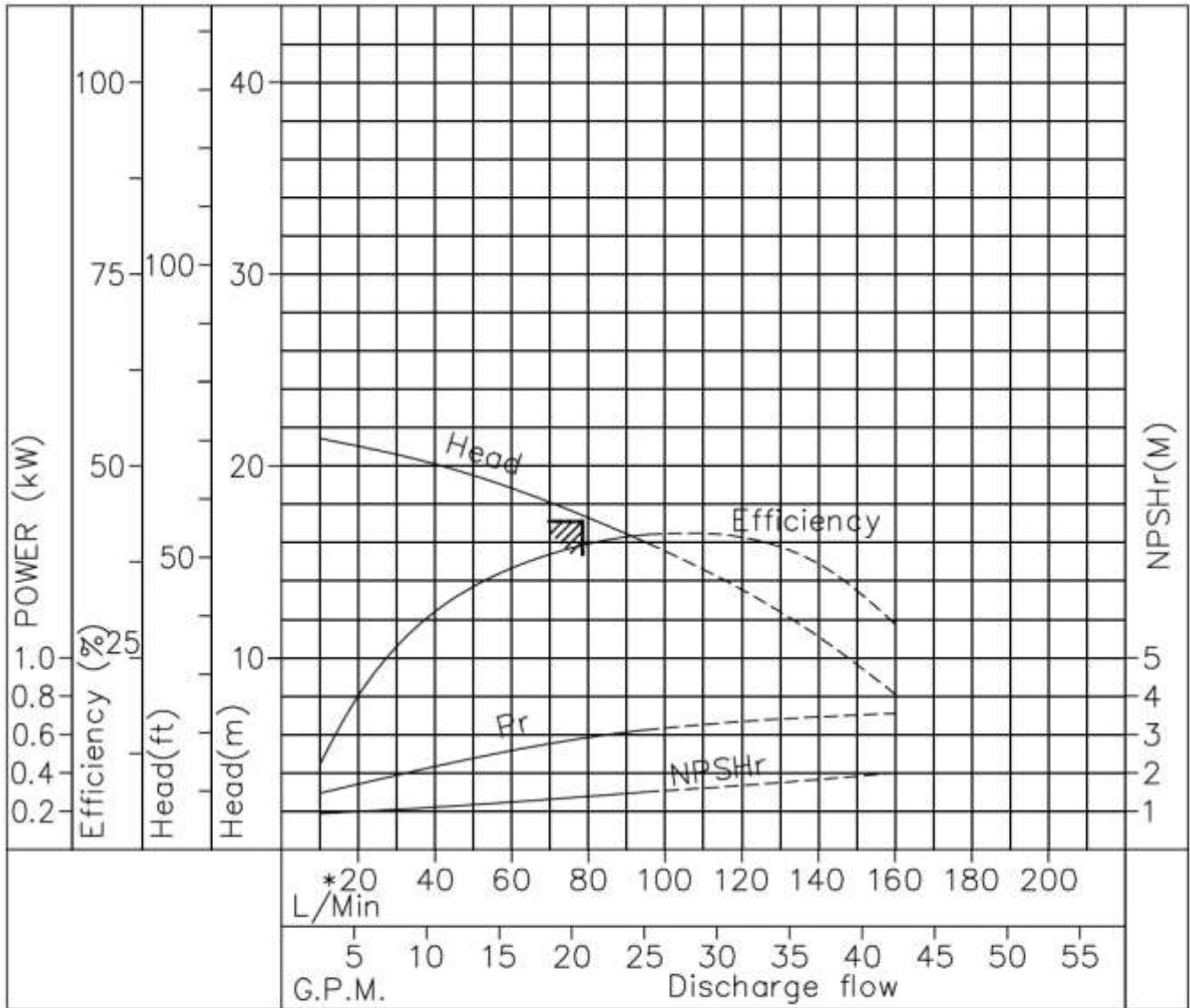
# Performance Curve

SG : 1.2  
 REF No. A3400693  
 Frequency : 60Hz

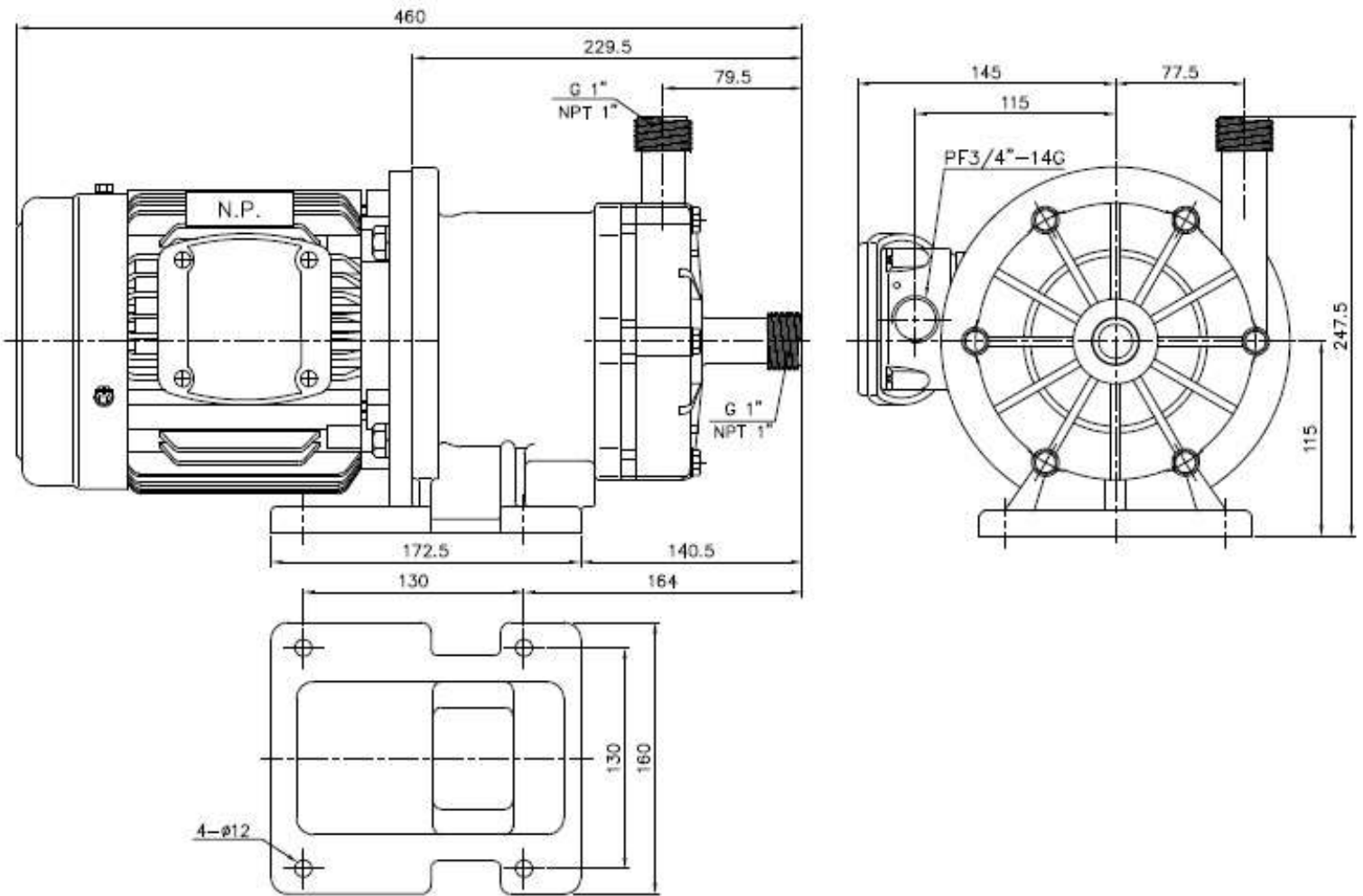
MODEL: NH-351PW-F(L)

IMPELLER DIA : 104 mm

	PUMP						MOTOR
	Discharge Capacity	Discharge Gauge Head	Suction Gauge Head	Equivalent Velocity Head	Total Head	Pump Efficiency	Power Requirement
	L/MIN	M	M	M	M	%	kW
1	0	21.8	-0.6	0	22.4	0	0.246
2	40	20.1	-0.5	0	20.6	31.02	0.433
3	80	17.3	-0.3	0	17.6	39.23	0.585
4	140	11.1	-0.1	0	11.2	37.26	0.686
5	160	8.1	0.1	0	8.0	29.39	0.710



- NOTE:
- |                      |                  |
|----------------------|------------------|
| 1. Specified point   | 17 m at 80 l/min |
| 2. Rated speed       | 3440 R.P.M.      |
| 3. Temperature range | 0 – 90 °C        |
| 4. Motor power       | 0.75 kW          |



DIMENSION TOLERANCE : JS 16 CLASS

		<b>APPROVED</b>		<b>MDL, NAME</b>		NH-351PW    NH-351PW-F	
UNIT	MM	CHECK	08 11 11	<b>DWG, NAME</b>		NH-351PW-K	
SCALE	9:20	DESIGN	01 20 09	<b>DWG, NO.</b>		INSTALLATION DRAWING	
EDITION	2	DR.BY	08 11 11 FANNY			E1363839    A3	