



## Expected Pump Performance Curve & Specifications (Reference)

Pump model : NH-30PX

REF : A3400318

Pump specifications

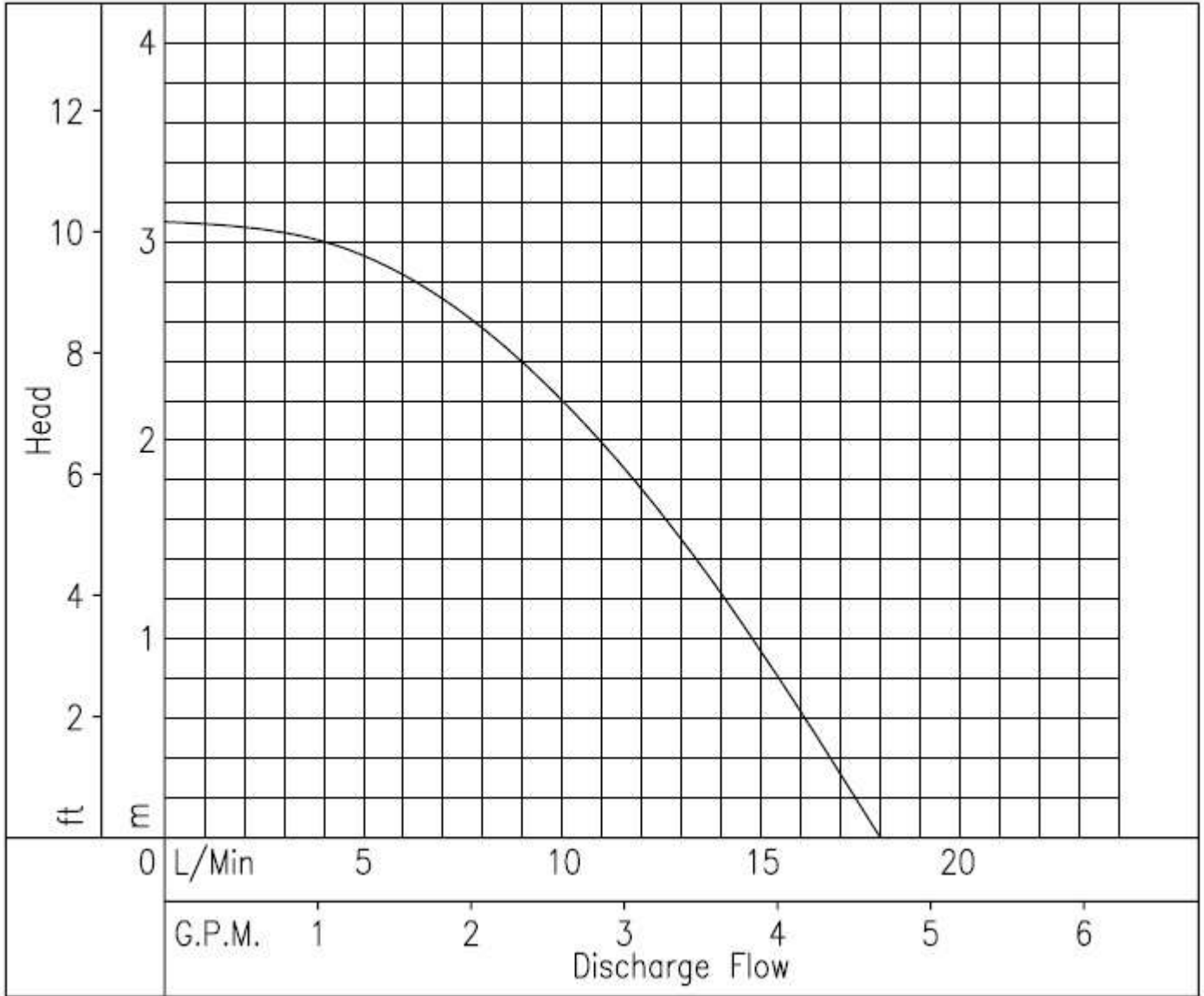
Frequency : 60Hz

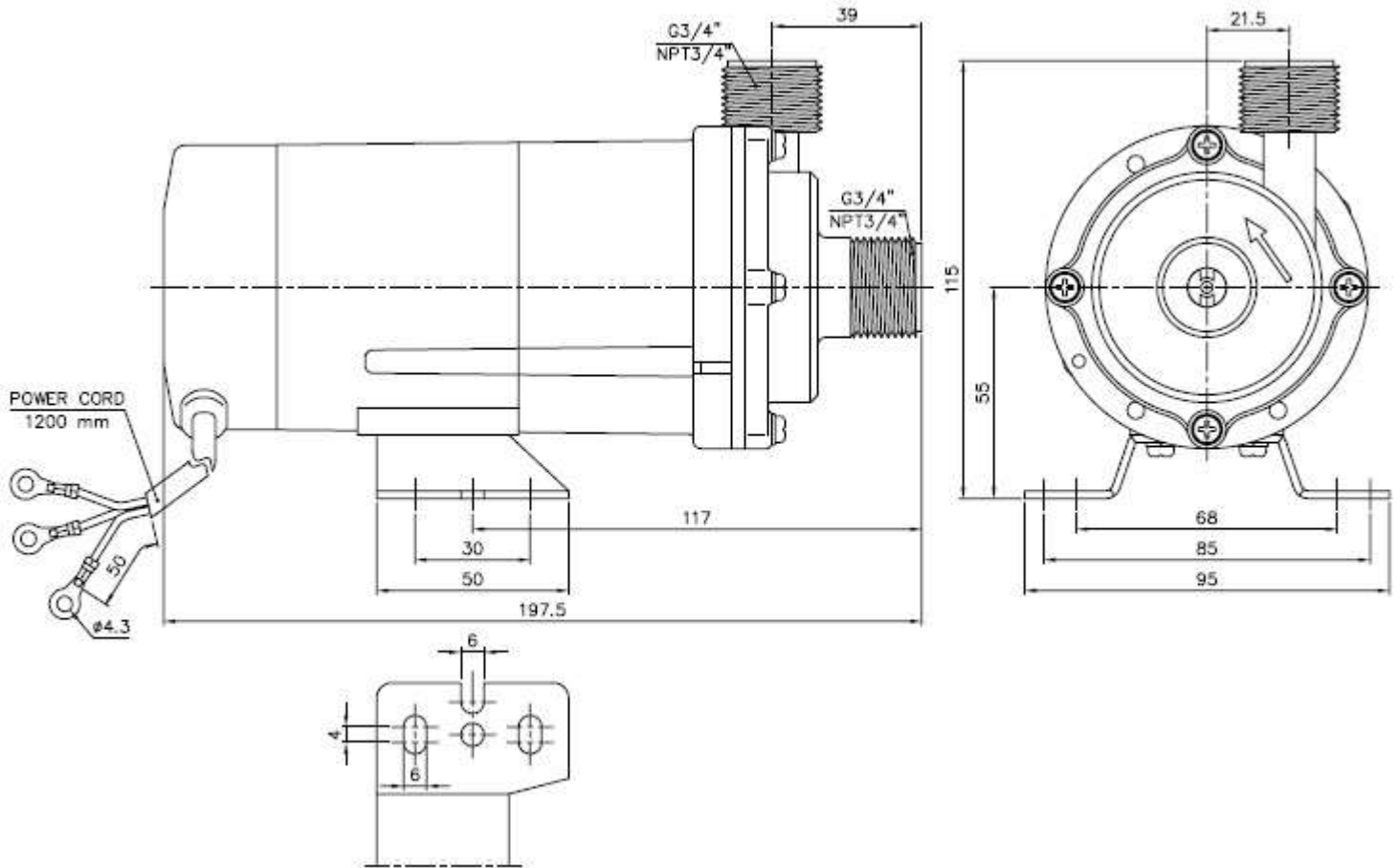
IMPELLER DIA : 44.5 mm

- |     |                                    |   |
|-----|------------------------------------|---|
| 1). | Specified point                    | : 1.5m at 13.0 L/Min                              |
| 2). | Max Head – Discharge flow          | : 3.1m – 18.0 L/Min                               |
| 3). | Hose : H , Thread : T              |   |
| 4). | Permissible working Temp.          | : PX series 0 ~ 60°C , Glass filled polypropylene |
| 5). | Permissible system pressure        | : 0.465 Bar                                       |
| 6). | Permissible environment conditions | : 0 ~ 40°C , Upto 85%                             |
| 7). | Nominal speed                      | : 3,000 r.p.m.                                    |



Motor specifications

- |     |                              |                 |
|-----|------------------------------|-----------------|
| 1). | Nominal output * input       | : 10 * 27 Watts |
| 2). | Applicable voltage           | : 100~120V/60Hz |
| 3). | Insulation grade             | : E grade       |
| 4). | Single phase capacitor motor |                 |





DIMENSION TOLERANCE : JIS 16 CLASS

 	APPROVED		MDL, NAME	NH-30PX	NH-30PX-F	
	UNIT	MM	CHECK	07 05 02	NH-30PX-N	
SCALE	1:1	DESIGN	09 14 98	DWG, NAME	INSTALLATION DRAWING	
EDITION	2	DR.BY	07 05 02 BECKY	DWG, NO.	B1031172	A3