



Expected Pump Performance Curve & Specifications (Reference)

Pump model : NH-250PS (L)

REF : A3400333

Frequency : 60 Hz

IMPELLER DIA : 85mm

9.0m at 80.0 L/Min

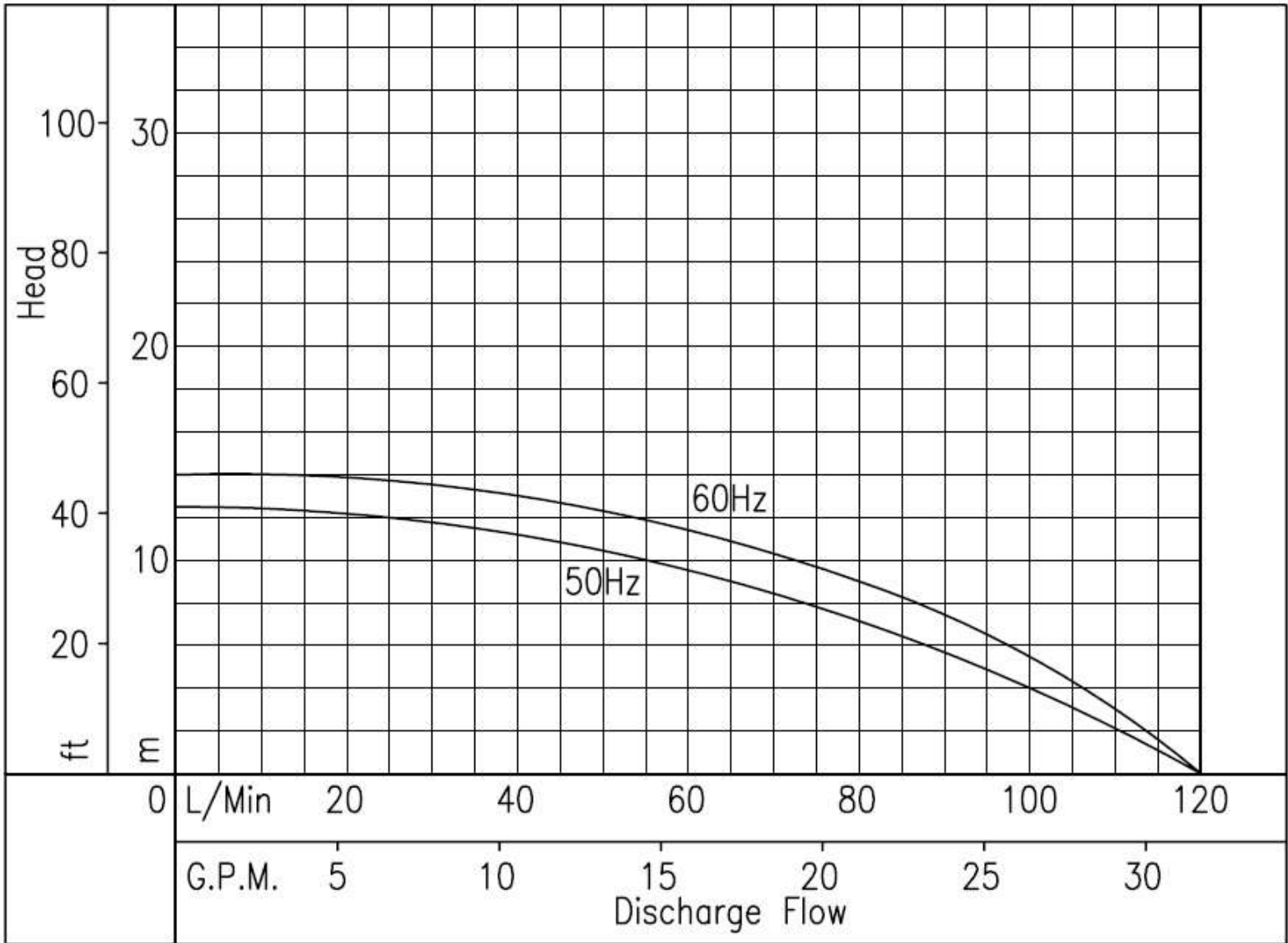
14.0m at 120.0 L/Min

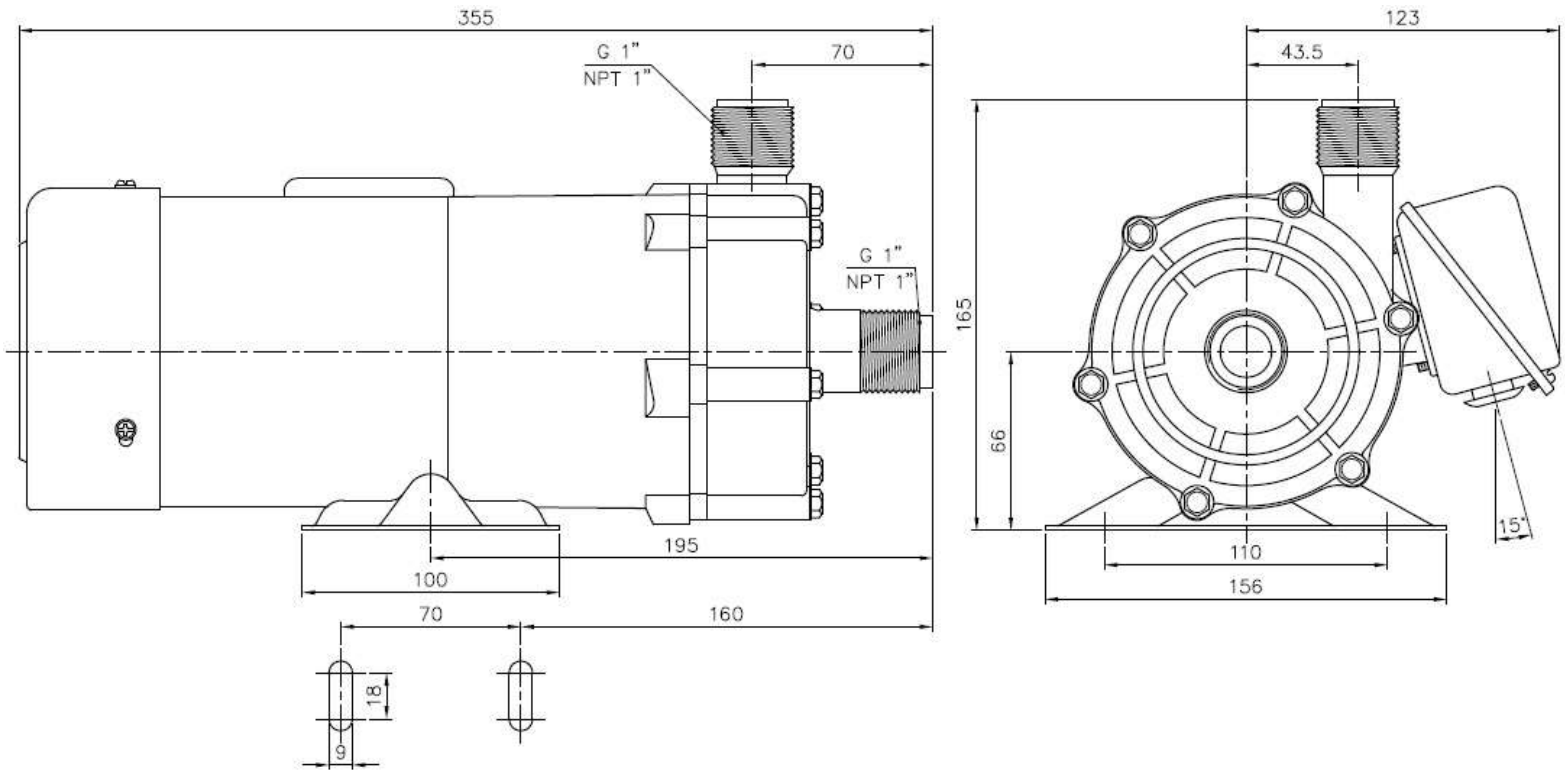
Pump specifications

- 1). Specified point :
- 2). Max Head – Discharge flow :
- 3). Hose : H, Thread : T, Flange : F
Discharge 26mm, NPT 1 inch,
Suction 26mm, NPT 1 inch,
- 4). Permissible working Temp. : 0 ~ 70°C , Polypropylene
- 5). Permissible system pressure : 0.21Mpa
- 6). Permissible environment conditions : 0 ~ 40°C , Upto 85%
- 7). Nominal speed : 3,300 r.p.m.
- 8). Allowable S. G. : 1.1

Motor specifications

- 1). Nominal output * input : 250 * 390Watts
- 2). Applicable voltage 1 ϕ : 120V 60Hz
- 3). Insulation grade : E grade
- 4). Single phase capacitor motor





DIMENSION TOLERANCE : JIS 16 CLASS

		APPROVED		MDL, NAME		NH-250PS-3/PS-F-3/PS-K-3 NH-275PS-3/PS-F-3/PS-K-3	
UNIT	MM	CHECK	06 13 14	DWG, NAME		INSTALLATION DRAWING	
SCALE	3:5	DESIGN	06 16 98	DWG, NO.		B1252398	A3
EDITION	4	DR.BY	06 13 14 FANNY				