



## Expected Pump Performance Curve & Specifications (Reference)

Pump model : NH-250PS-F (L)

REF : A3400337

Frequency : 60 Hz

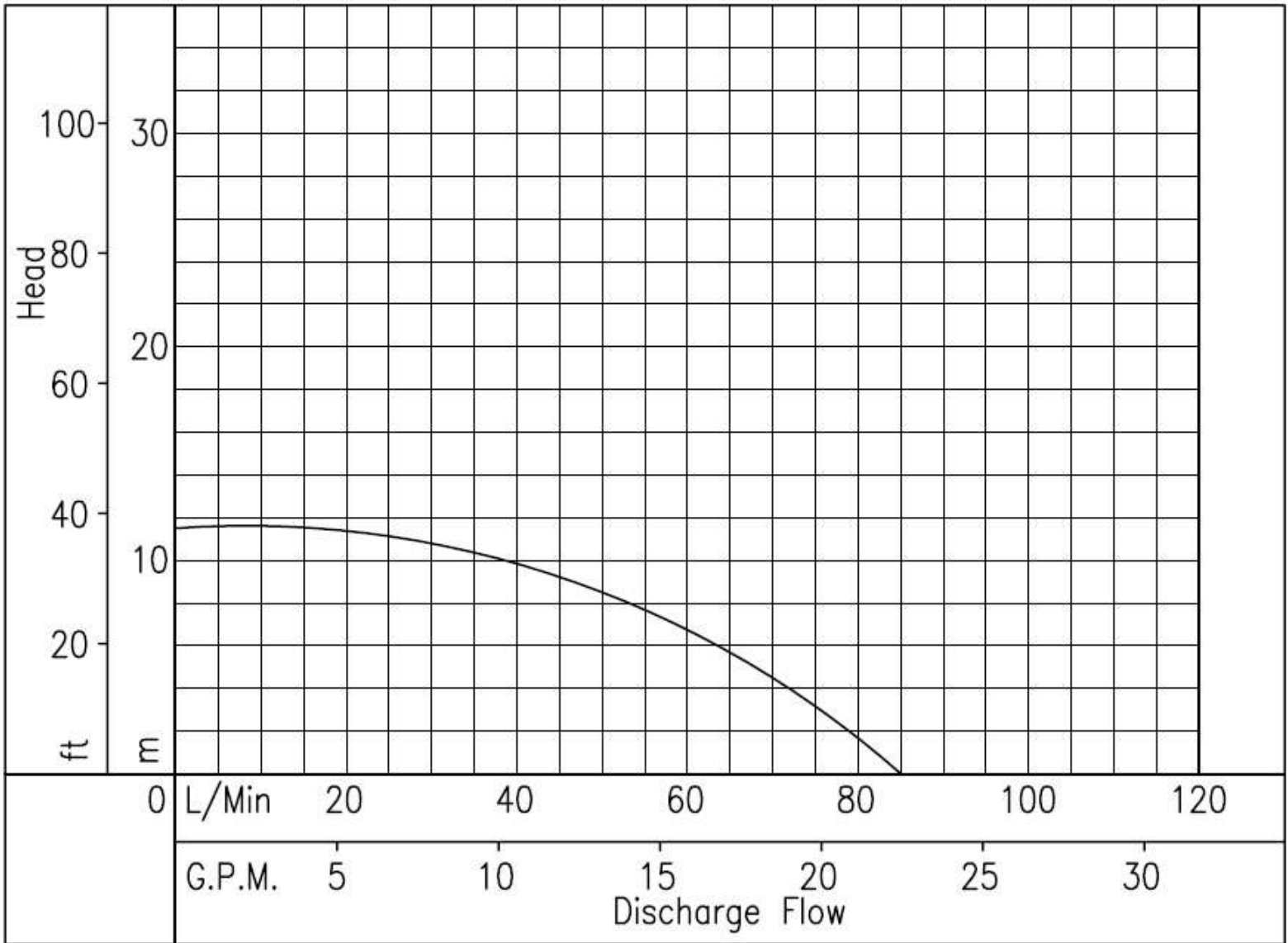
IMPELLER DIA : 85mm

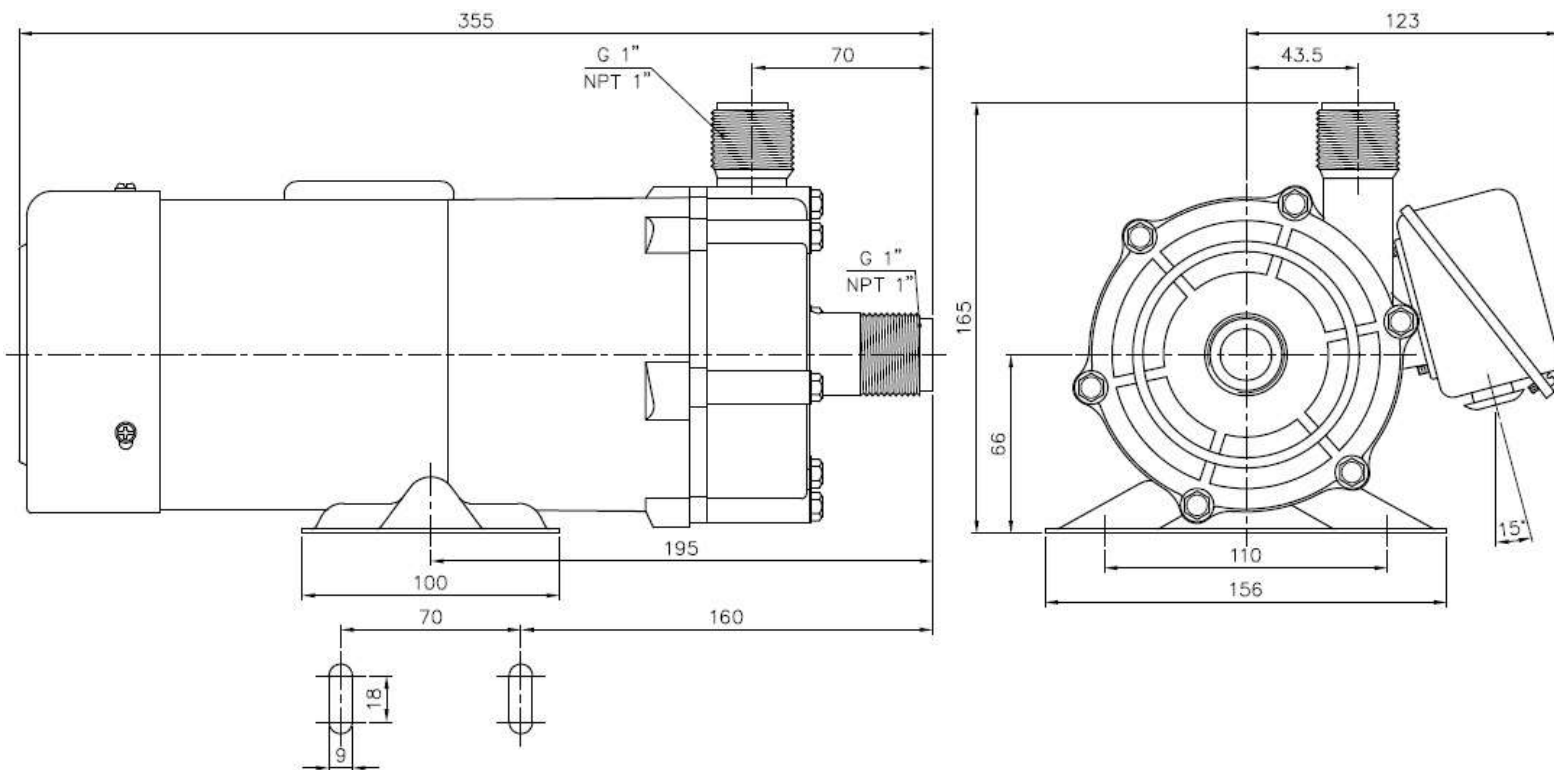
### Pump specifications

- 1). Specified point : 8.5m at 50.0 L/Min
- 2). Max Head – Discharge flow : 11.5m – 85.0 L/Min
- 3). Hose : H, Thread : T,  
Discharge 26mm, NPT 1 inch,  
Suction 26mm, NPT 1 inch,
- 4). Permissible working Temp. : 0 ~ 90°C , Carbon fiber filled ETFE
- 5). Permissible system pressure : 0.21Mpa
- 6). Permissible enviroment conditions : 0 ~ 40°C , Upto 85%
- 7). Nominal speed : 3,300 r.p.m.
- 8). Allowable S. G. : 1.2

### Motor specifications

- 1). Nominal output \* input : 250 \* 390Watts
- 2). Applicable voltage 1 $\phi$  : 120V 60Hz
- 3). Insulation grade : E grade
- 4). Single phase capacitor motor





DIMENSION TOLERANCE : JIS 16 CLASS

		APPROVED		MDL, NAME	NH-250PS-3/PS-F-3/PS-K-3 NH-275PS-3/PS-F-3/PS-K-3	
UNIT	MM	CHECK	06 13 14	DWG, NAME	INSTALLATION DRAWING	
SCALE	3:5	DESIGN	06 16 98	DWG, NO.	B1252398	A3
EDITION	4	DR.BY	06 13 14 FANNY			