



Expected Pump Performance Curve & Specifications (Reference)

Pump model : NH-200PS-Z

REF : A3400332

Pump specifications

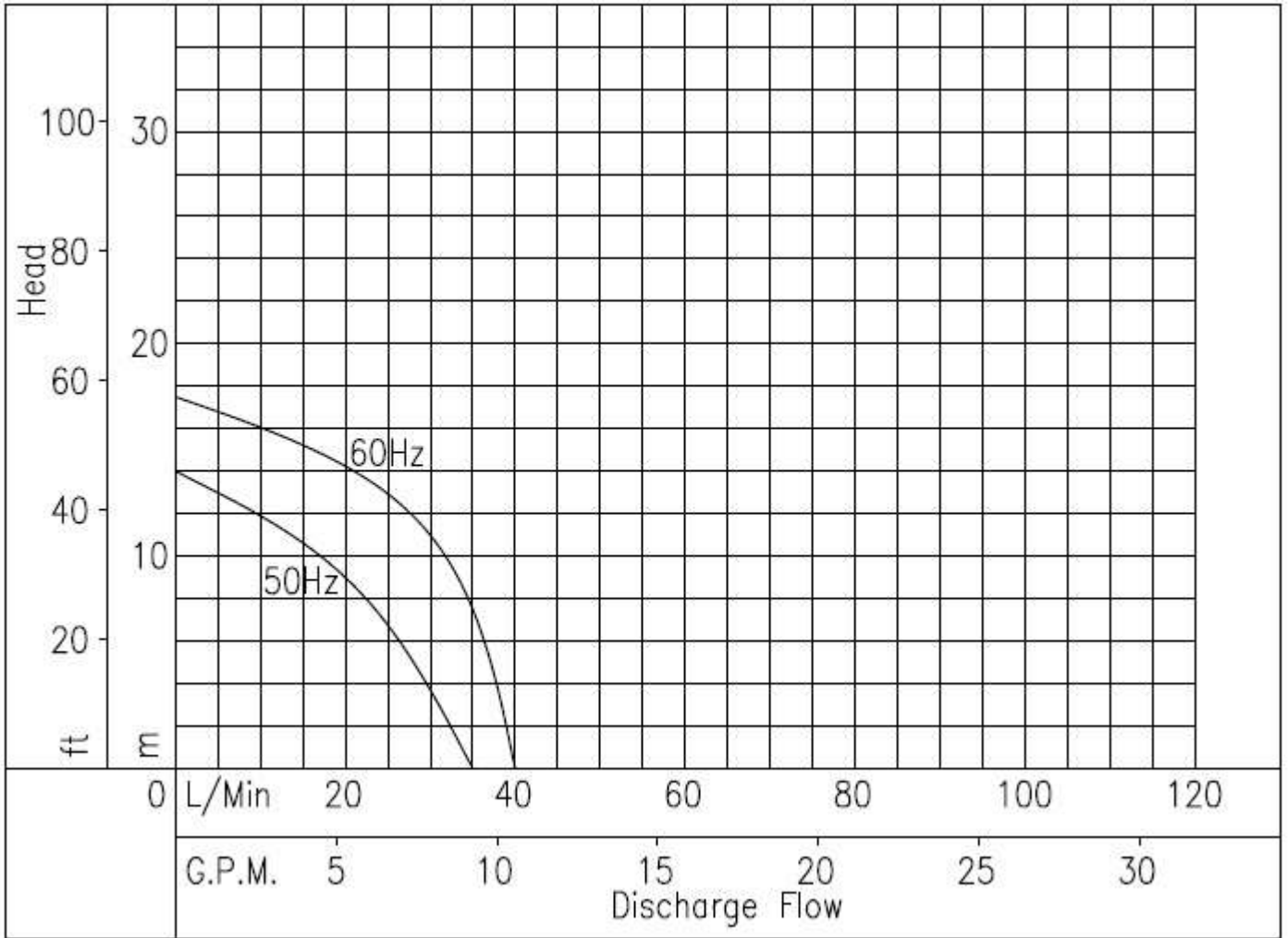
- 1). Specified point :
- 2). Max Head – Discharge flow :
- 3). Hose : H, Thread : T, Flange : F
Discharge 26mm, NPT 1 inch,
Suction 26mm, NPT 1 inch,

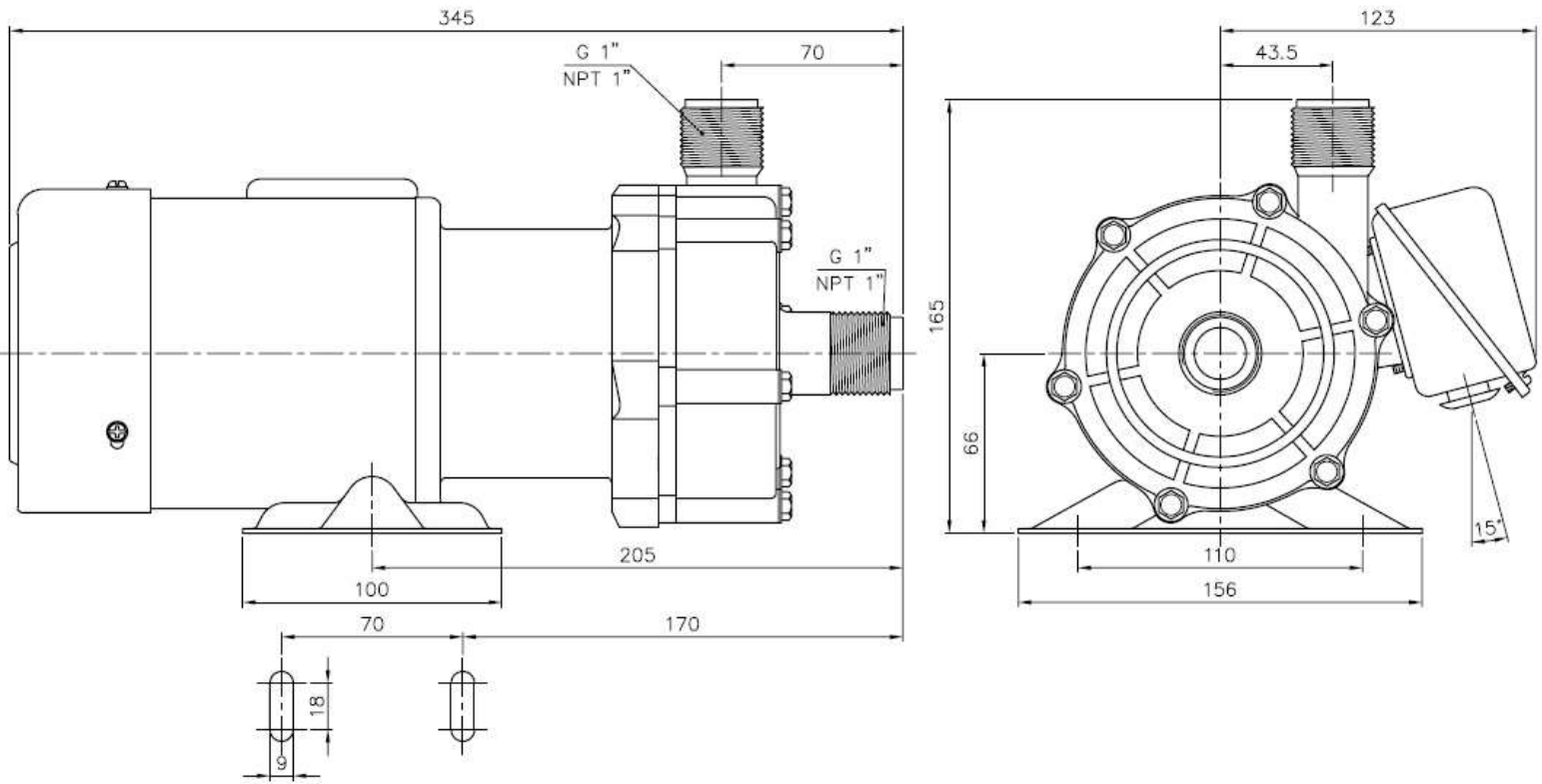
Frequency : 60 Hz
IMPELLER DIA : /89mm
11.0m at 30.0 L/Min
17.5m – 40.0 L/Min

- 4). Permissible working Temp. : 0 ~ 70°C , Polypropylene
- 5). Permissible system pressure : 2.4 Bar
- 6). Permissible environment conditions : 0 ~ 40°C , Upto 85%
- 7). Nominal speed : 3,440 r.p.m.
- 8). Allowable S. G. : 1.0

Motor specifications

- 1). Nominal output * input : 180W * 290W
- 2). Applicable voltage : 120V 60Hz
- 3). Insulation grade : E grade
- 4). Single phase capacitor motor





DIMENSION TOLERANCE : JIS 16 CLASS

		APPROVED		NH-200PS-3 NH-200PS-F-3 NH-200PS-Z-3 NH-200PS-Z-F-3 NH-200PS-K-3 NH-200PS-Z-K-3	
UNIT	MM	CHECK	08 09 11	MDL, NAME	
SCALE	3:5	DESIGN	06 16 98	DWG, NAME	
EDITION	3	DR.BY	08 09 11 FANNY	INSTALLATION DRAWING	
				DWG, NO.	
				B1202396 A3	