



Expected Pump Performance Curve & Specifications (Reference)

Pump model : 200PS-Z-F (L) REF : A3400332

Frequency : 60 Hz

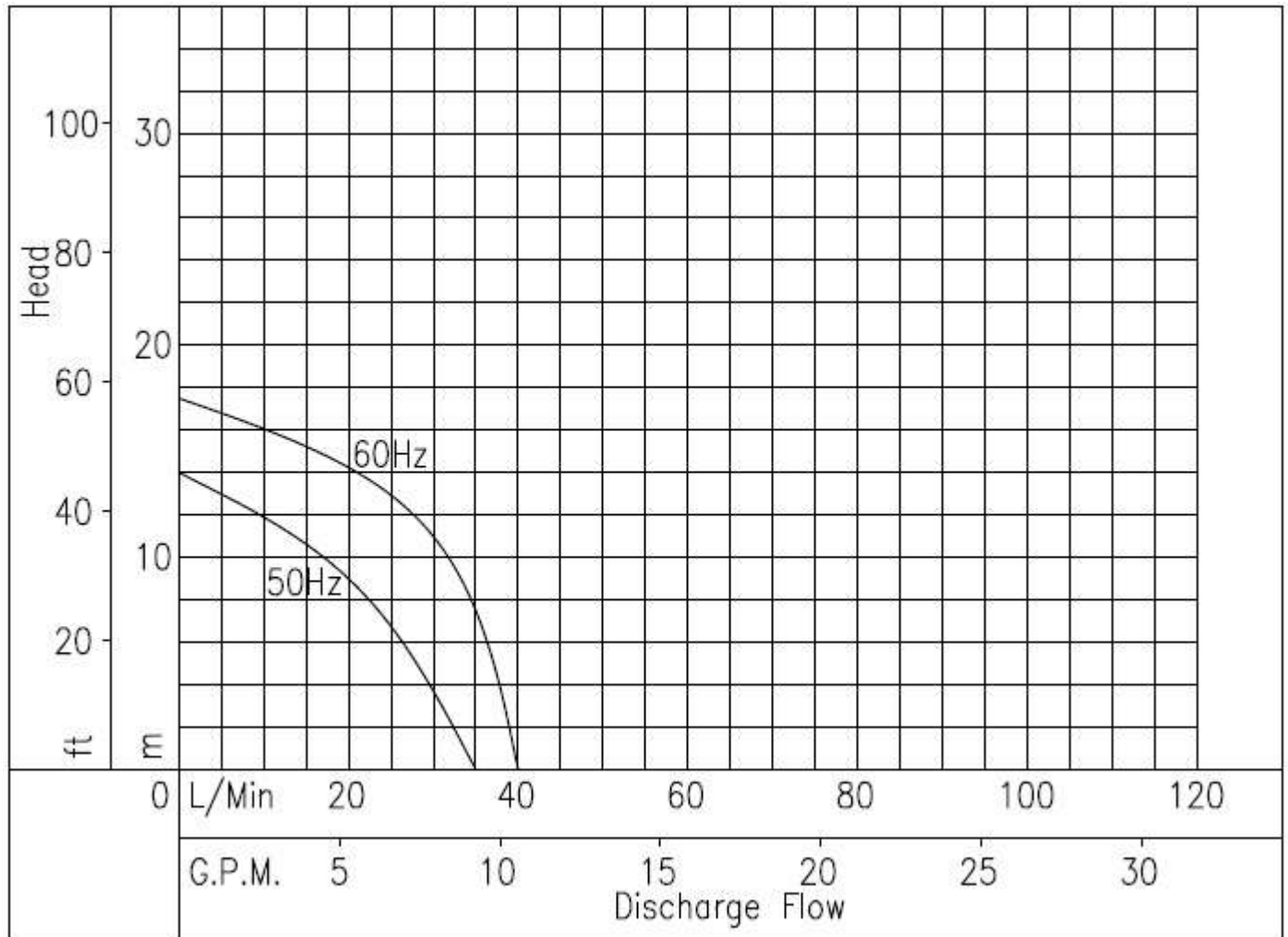
Pump specifications

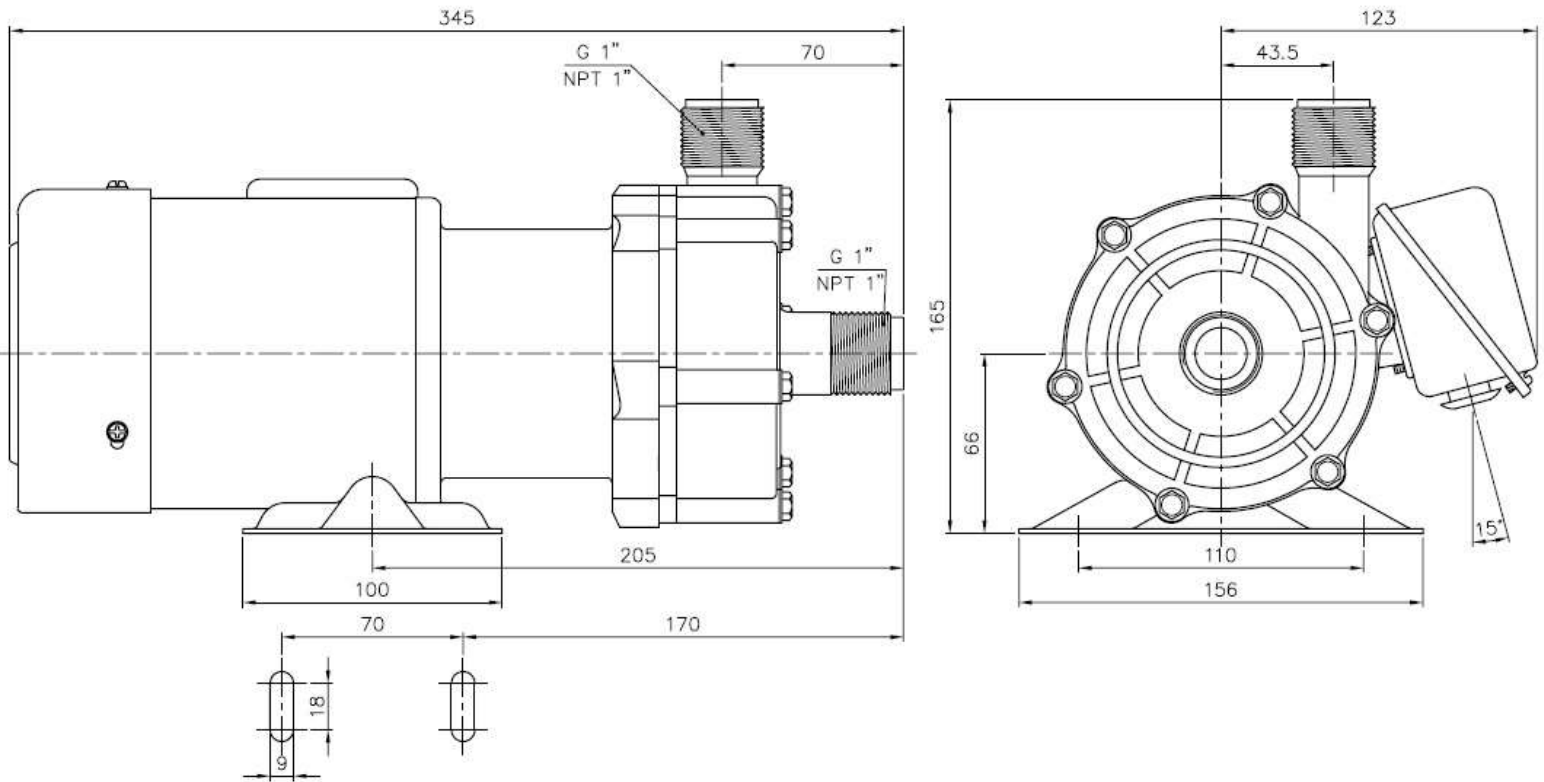
IMPELLER DIA : 89mm

- | | | |
|---------------------------------------|---|-------------------------------|
| 1). Specified point | : | 11.0m at 30.0 L/Min |
| 2). Max Head – Discharge flow | : | 17.5m – 40.0 L/Min |
| 3). Hose : H, Thread : T, Flange : F | | |
| Discharge | | 26mm, NPT 1 inch, |
| Suction | | 26mm, NPT 1 inch, |
| 4). Permissible working Temp. | : | 0 ~ 70°C , Carbon Filled ETFE |
| 5). Permissible system pressure | : | 2.4 Bar |
| 6). Permissible enviroment conditions | : | 0 ~ 40°C , Upto 85% |
| 7). Nominal speed | : | 2,860 / 3,440 r.p.m. |
| 8). Allowable S. G. | : | 1.0 |

Motor specifications

- | | | |
|----------------------------------|---|---------------|
| 1). Nominal output * input | : | 180W * 290W |
| 2). Applicable voltage | : | 100~120V 60Hz |
| | : | |
| 3). Insulation grade | : | E grade |
| 4). Single phase capacitor motor | | |





DIMENSION TOLERANCE : JIS 16 CLASS

		APPROVED		MDL, NAME		NH-200PS-3 NH-200PS-F-3 NH-200PS-Z-3 NH-200PS-Z-F-3 NH-200PS-K-3 NH-200PS-Z-K-3	
UNIT	MM	CHECK	08 09 11	DWG, NAME		INSTALLATION DRAWING	
SCALE	3:5	DESIGN	06 16 98	DWG, NO.		B1202396	A3
EDITION	3	DR.BY	08 09 11 FANNY				