



Expected Pump Performance Curve & Specifications (Reference)

Pump model : NH-150PS

REF : A3400017

Frequency : 50/60 Hz

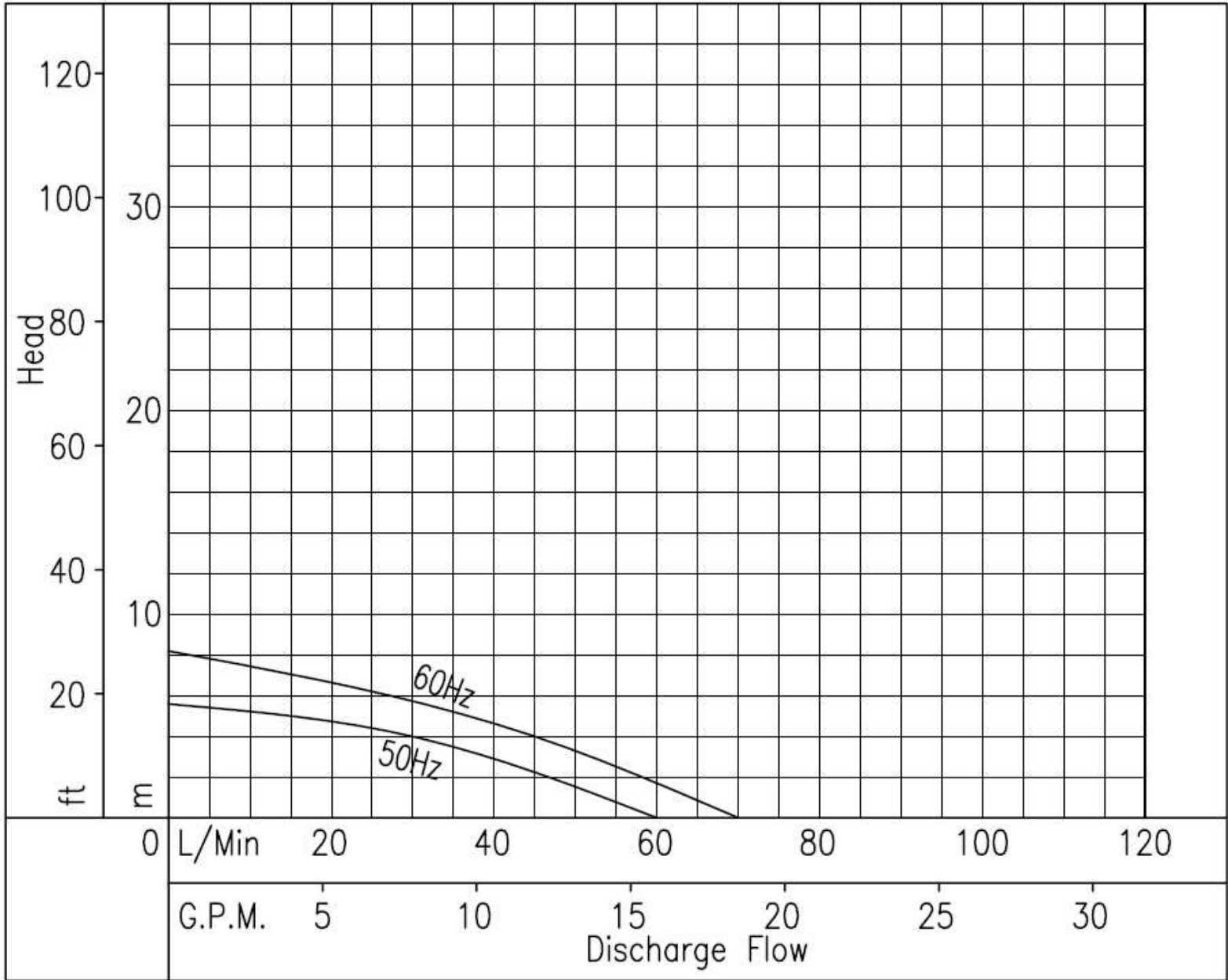
IMPELLER DIA : 68 mm

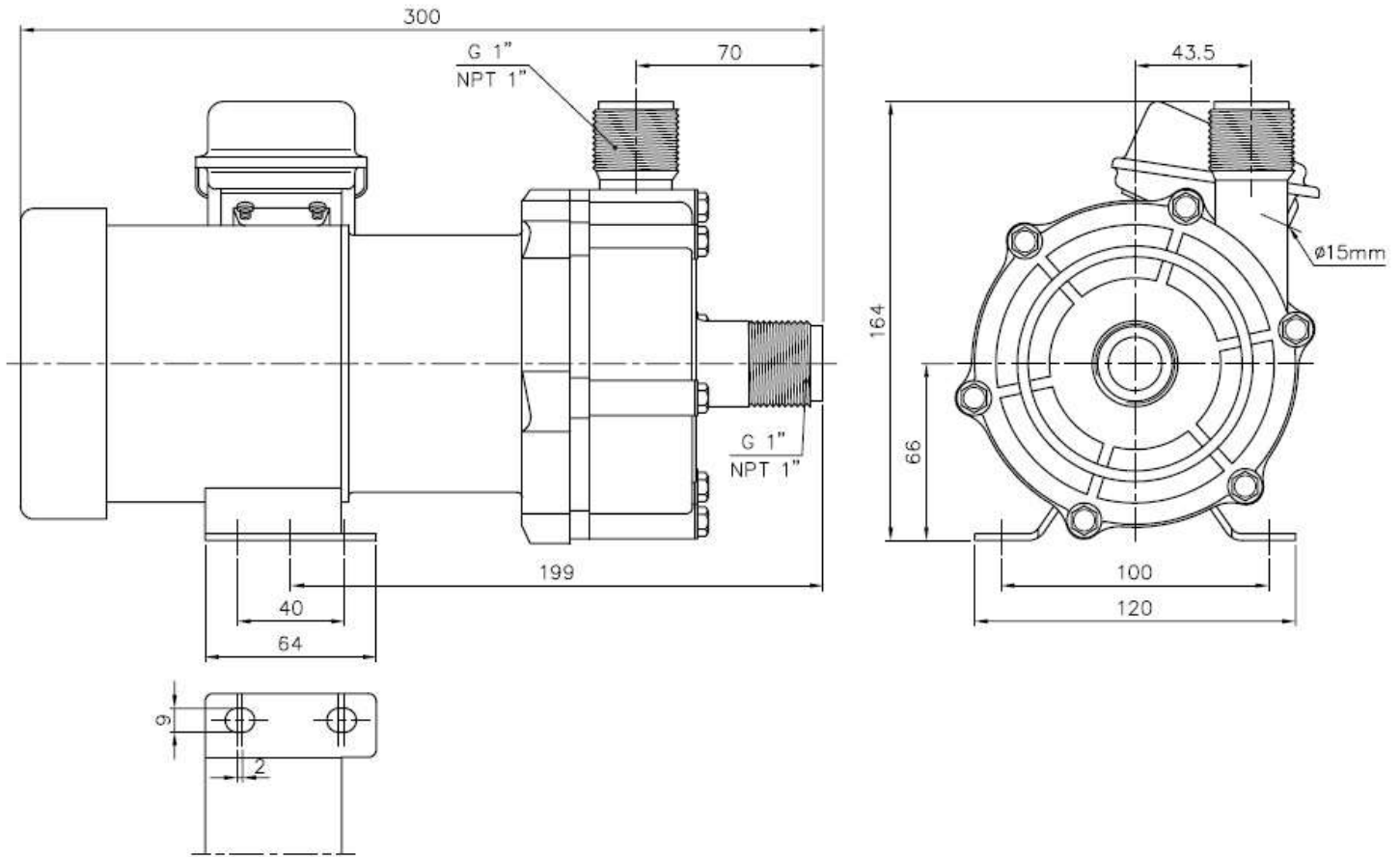
Pump specifications

- 1). Specified point : 4.0m at 30.0 L/Min , 4.0m at 45.0 L/Min
- 2). Max Head – Discharge flow : 5.6m – 60.0 L/Min , 8.2m – 70.0 L/Min
- 3). Hose : H , Thread : T
- 4). Permissible working Temp. : PS series 0 ~ 60°C , Glass filled polypropylene
- 5). Permissible system pressure : 1.2 Bar
- 6). Permissible environment conditions : 0 ~ 40°C , Upto 85%
- 7). Nominal speed : 2,500 / 3,000 r.p.m.

Motor specifications

- 1). Nominal output * input : 90W * 130W / 90W * 170W
- 2). Applicable voltage : 100~120V 60Hz
- 3). Insulation grade : E grade
- 4). Single phase capacitor motor





DIMENSION TOLERANCE : JIS 16 CLASS

		APPROVED		MDL, NAME		NH-150PS-3 NH-150PS-F-3	
UNIT	MM	CHECK	08 22 02	DWG, NAME		INSTALLATION DRAWING	
SCALE	3:5	DESIGN	08 22 02	DWG, NO.		E1152113	A3
EDITION	1	DR.BY	08 22 02 BECKY				