



Expected Pump Performance Curve & Specifications (Reference)

Pump model : NH-100PX

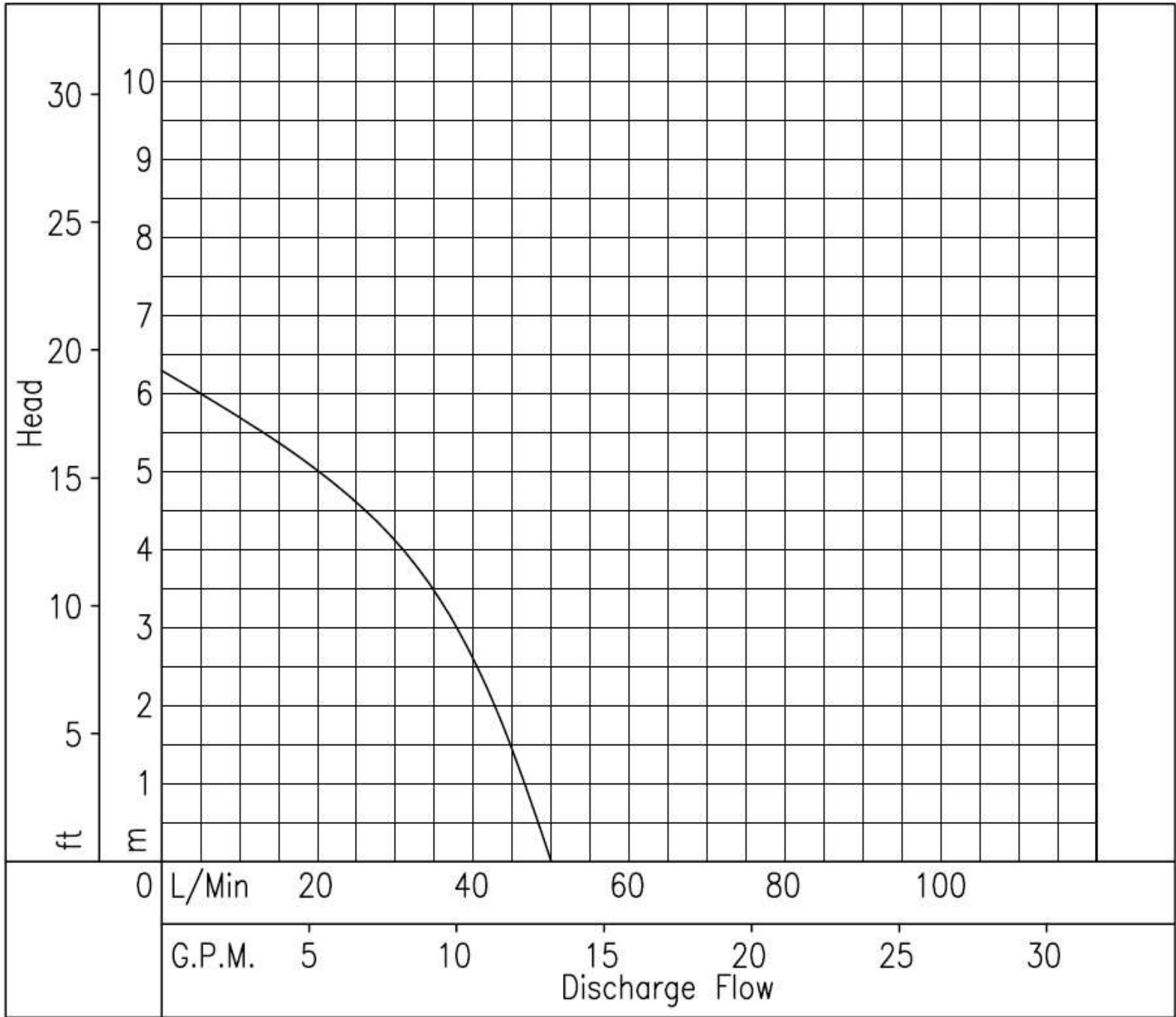
Pump specifications

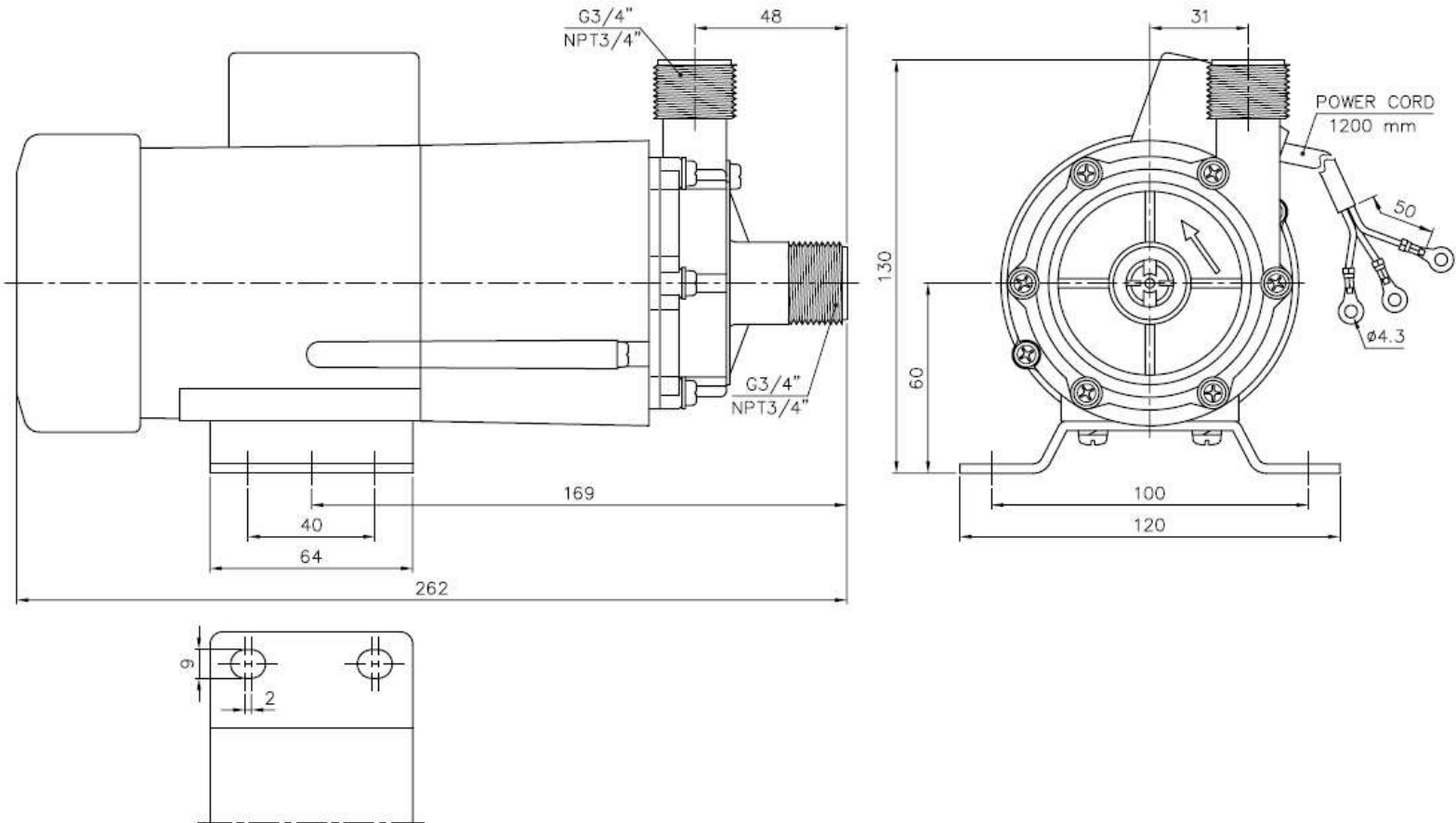
REF : A3400325

- | | | |
|--|---|----------------------|
| 1). Specified point | : 4.0m at 31.0 L/Min | Frequency : 60 Hz |
| 2). Max Head – Discharge flow | : 6.3m – 50.0 L/Min | IMPELLER DIA : 62 mm |
| 3). Hose : H , Thread : T | | |
| 4). Permissible working Temp. | : PX series 0 ~ 60°C , Glass filled polypropylene | |
| 5). Permissible system pressure | : 0.95 Bar | |
| 6). Permissible environment conditions | : 0 ~ 40°C , Upto 85% | |
| 7). Nominal speed | : 3,000 r.p.m. | |

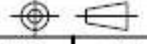
Motor specifications

- | | |
|----------------------------------|--------------------|
| 1). Nominal output * input | : 65 * 120 Watters |
| 2). Applicable voltage | : 100~120V/60Hz |
| 3). Insulation grade | : E grade |
| 4). Single phase capacitor motor | |





DIMENSION TOLERANCE : JIS 16 CLASS

	APPROVED			MDL, NAME	NH-100PX	NH-100PX-F
	CHECK	07 11 02		DWG, NAME	INSTALLATION DRAWING	
UNIT	MM	DESIGN	06 04 98	DWG, NO.	B1101176	A3
SCALE	4:5	DR.BY	07 11 02 BECKY			
EDITION	2					