



## Expected Pump Performance Curve & Specifications (Reference)

Pump model :

NH-100PX-F

Pump specifications

REF : A3400325

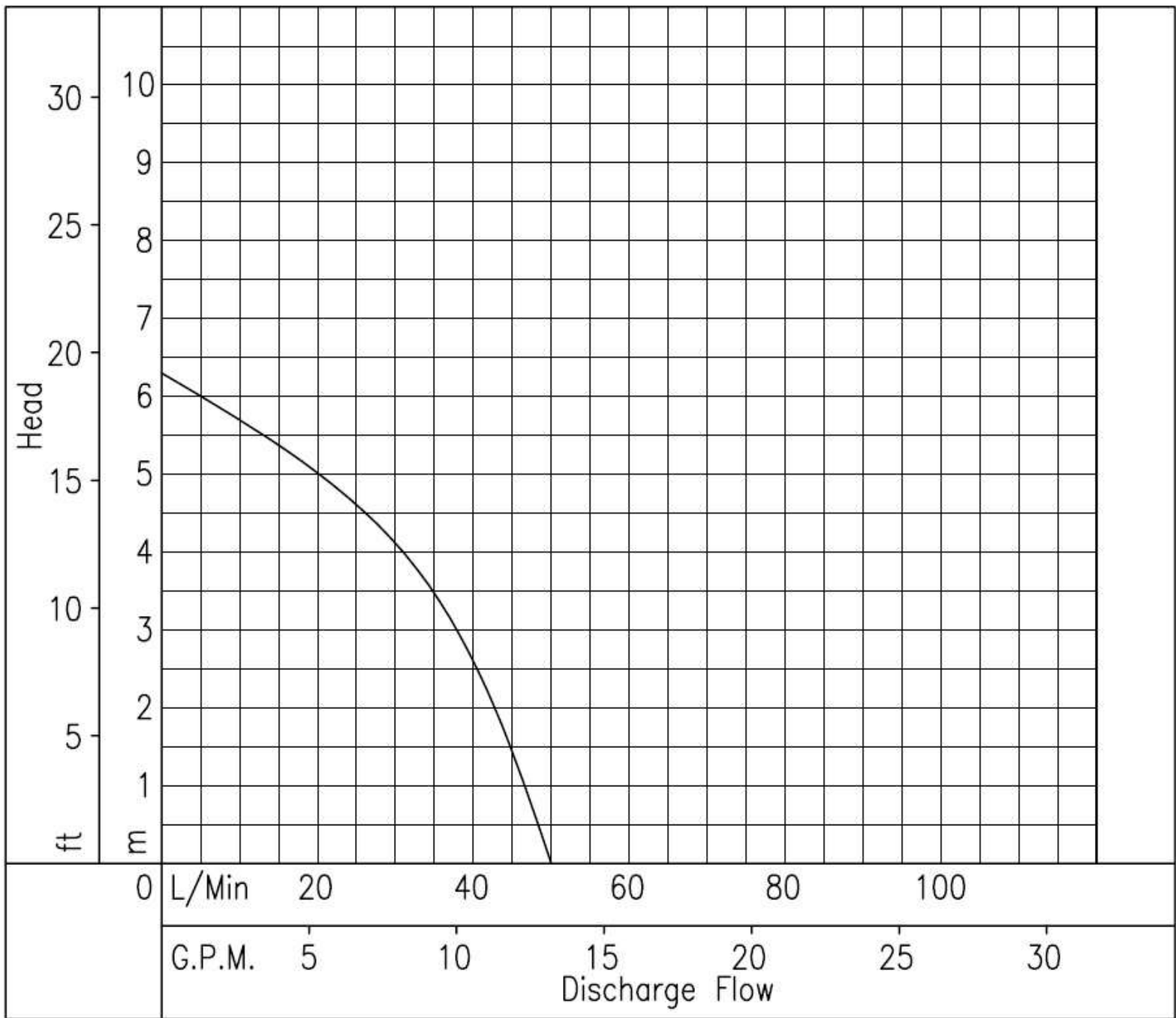
- |     |                           |                      |                |       |
|-----|---------------------------|----------------------|----------------|-------|
| 1). | Specified point           | : 4.0m at 31.0 L/Min | Frequency :    | 60 Hz |
| 2). | Max Head – Discharge flow | : 6.3m – 50.0 L/Min  | IMPELLER DIA : | 62 mm |
| 3). | Hose : H , Thread : T     |                      |                |       |
| 4). | Permissible working Temp. | :                    |                |       |

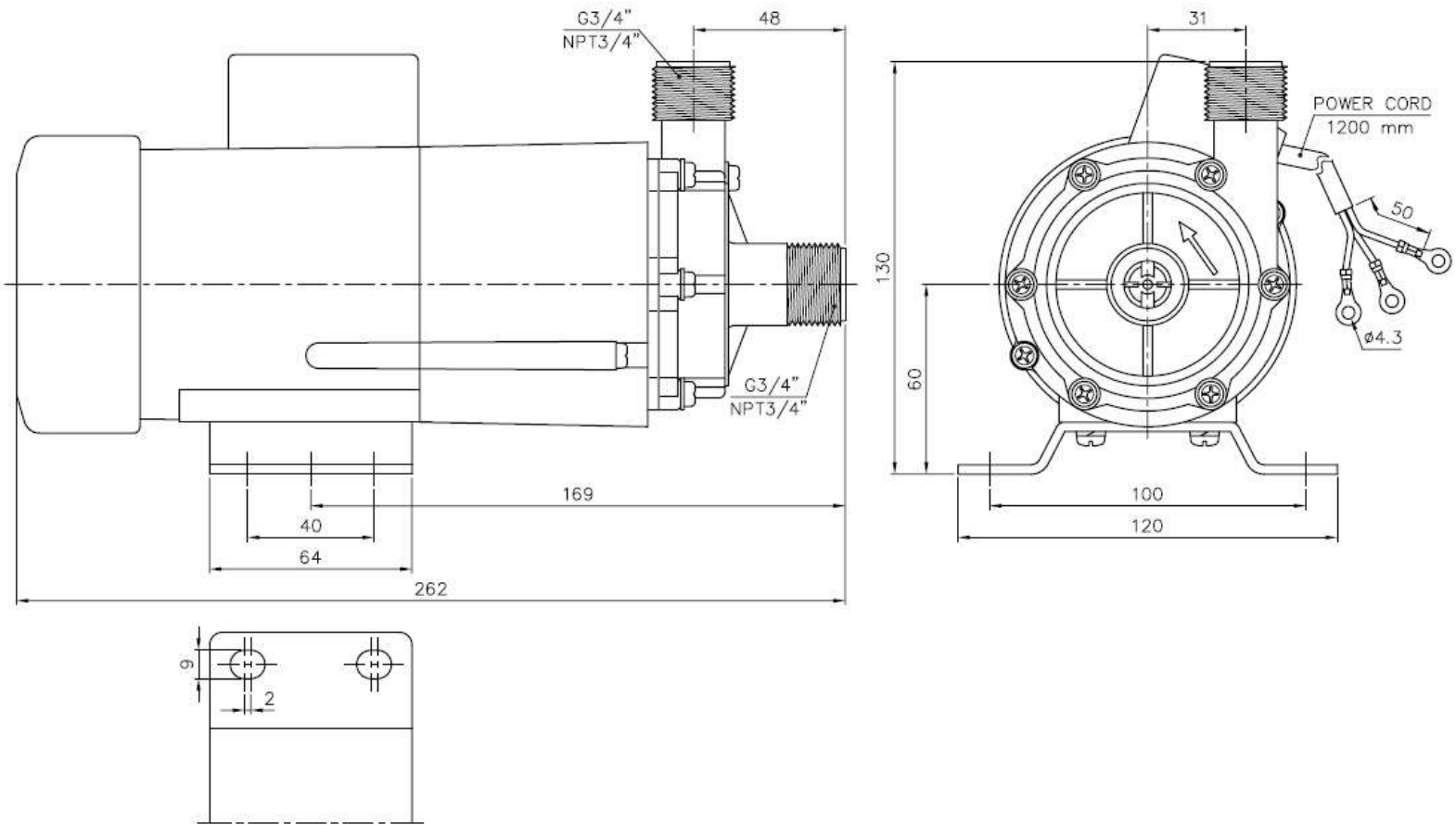
PX-F series 0 ~ 90°C , Carbon filled ETFE

- |     |                                    |                       |
|-----|------------------------------------|-----------------------|
| 5). | Permissible system pressure        | : 0.95 Bar            |
| 6). | Permissible environment conditions | : 0 ~ 40°C , Upto 85% |
| 7). | Nominal speed                      | : 3,000 r.p.m.        |

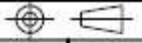
Motor specifications

- |     |                              |                   |
|-----|------------------------------|-------------------|
| 1). | Nominal output * input       | : 65 * 120 Wattes |
| 2). | Applicable voltage           | : 100~120V/60Hz   |
| 3). | Insulation grade             | : E grade         |
| 4). | Single phase capacitor motor |                   |





DIMENSION TOLERANCE : JIS 16 CLASS

		APPROVED		MDL, NAME	NH-100PX	NH-100PX-F
UNIT	MM	CHECK	07 11 02	DWG, NAME	NH-100PX-N INSTALLATION DRAWING	
SCALE	4:5	DESIGN	06 04 98	DWG, NO.	B1101176	A3
EDITION	2	DR.BY	07 11 02 BECKY			